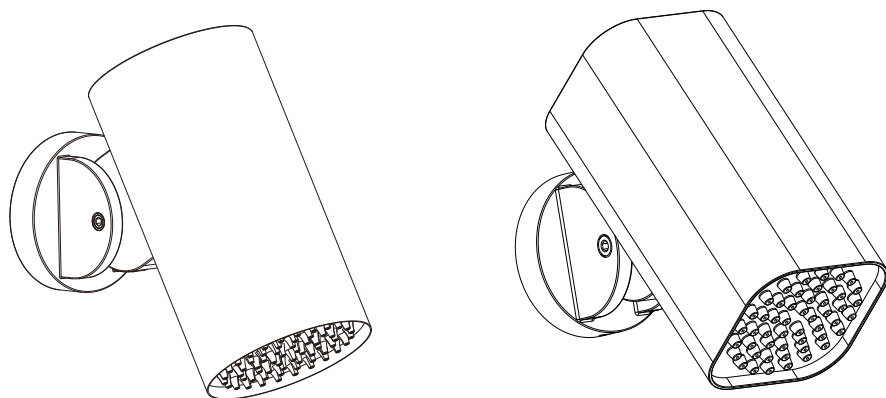


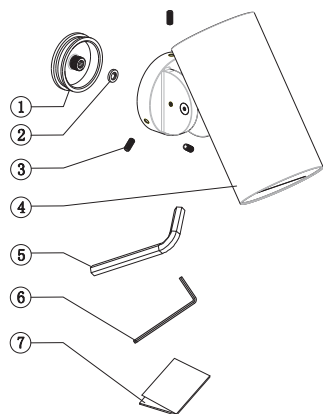
Recessed Downlight Shower Instructions



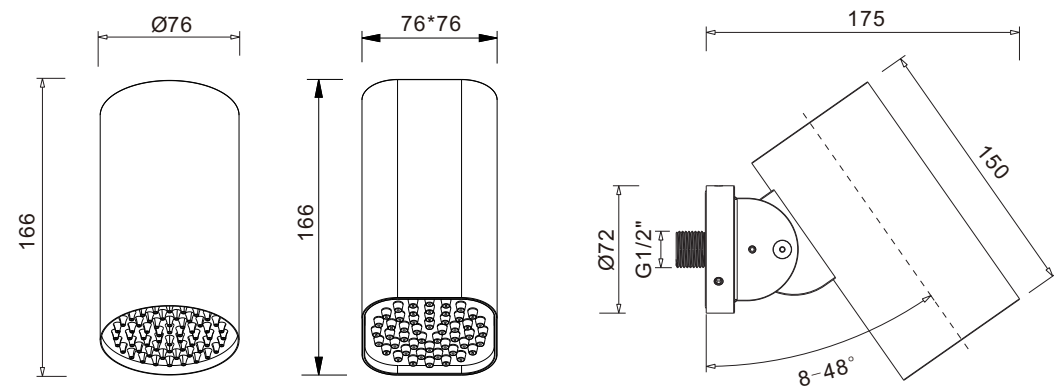
Please read the installation instructions carefully before installation.
 After opening the product, please refer to the "Packing List" and check if it is in the pack.
 If you found parts missing, please contact your local dealer immediately.

Partslist

NO.	PART NAME	NUMBER
1	Base of spout	1
2	Washer	1
3	Screw	3
4	Shower Body	1
5	Allen Key	1
6	Allen Key	1
7	instructions	1



Dimension



Faucet installation

1

pollution discharge

Teflon tape

2

Flexible hose

leak hunting

3

1. Wrap sealing tape around the G1/2" thread of the water inlet base. Then use a hex wrench to screw the water inlet base into the pre-installed water outlet hole. After tightening, ensure that the water inlet base is tightly against the wall. (Note: Before installation, make sure to flush out impurities in the pipe by releasing water!)
2. Pull out the inlet hose inside the shower head body. Place a rubber washer inside the nut of the shower head base, then connect the inlet hose to the water inlet base. Finally, use a wrench to tighten the inlet hose. Perform a water test to check for any leaks at the connection point.
3. Push the inlet hose back into the shower head body. Insert the shower head body into the water inlet base and adjust its position. Then use a hex key to tighten the locking screw. Finally, conduct a water test to check the correct water outlet angle of the shower head and for any leaks at the connection point. The installation is complete.