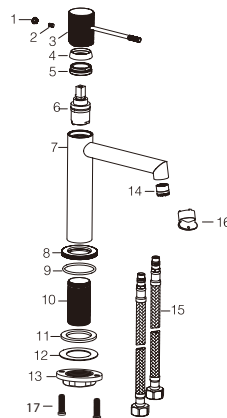


PRODUCT INFORMATION SUMMARY



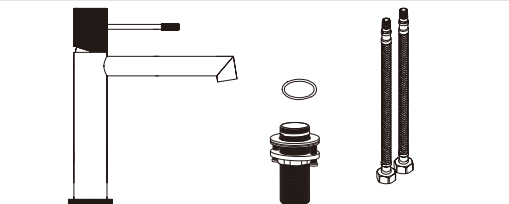
Ref.	EAN	Finish
BDD038-1	8435668011242	Chrome
BDD038-1BGM	8435668012126	Black gun metal
BDD038-1NG	8435668011273	Matte black
BDD038-1GC	8435668011259	Matt gray/Champagne
BDD038-1ORC	8435668033862	Brushed rose gold
BDD038-1OC	8435668011297	Brushed gold
BDD038-1NQ	8435668011280	Brushed nickel



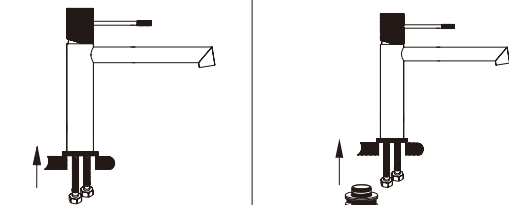
CODE	NAME	MATERIAL	REF
1	Button	ABS	
2	Screw	SUS 304	
3	Handle	Brass	
4	Decorative cap	ABS	
5	Nut	Brass	
6	Cartridge	26mm up	CRT007*
7	Body	Brass	
8	Base	Brass	
9	O-ring	NBR	
10	Lock screw	SUS 304	
11	Washer	NBR	
12	Metal washer	SS 304	
13	Nut	Brass	
14	Aerator	M16.5x1mm	SAT-AIR060*
15	Connecting Pipe	TAQ-PEX-DN6-ACB H3/8"-M10X1 L12-500-R&B	SAT-HOSES7*
16	Aerator spanner	Plastic	SAT-KEY005*
17	Screw	SUS 304	

* CONSULTAR PARA ACABADOS DE COLOR

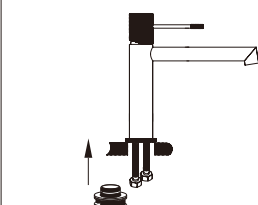
Installing instruction



Step 1. Check all spare parts ready

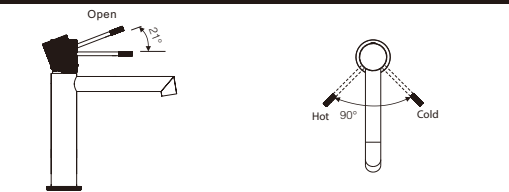


Step 2. Install inlet pipe to faucet body



Step 3. Install screw stick to faucet body

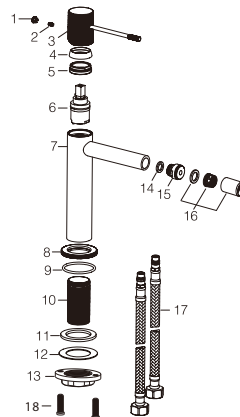
Usage function instruction



PRODUCT INFORMATION SUMMARY



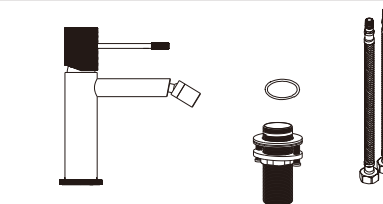
Ref.	EAN	Finish
BDD038-2	8435668011303	Chrome
BDD038-2BGM	8435668012119	Black gun metal
BDD038-2NG	8435668011334	Matte black
BDD038-2GC	8435668011310	Matt gray/Champagne
BDD038-2ORC	8435668033879	Brushed rose gold
BDD038-2OC	8435668011358	Brushed gold
BDD038-2NQ	8435668011341	Brushed nickel



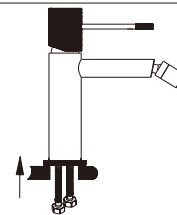
CODE	NAME	MATERIAL	REF
1	Button	ABS	
2	Screw	SUS 304	
3	Handle	Brass	
4	Decorative cap	ABS	
5	Nut	Brass	
6	Cartridge	26mm up	CRT007*
7	Body	Brass	
8	Base	Brass	
9	O-ring	NBR	
10	Lock screw	SUS 304	
11	Washer	NBR	
12	Metal washer	S5 304	
13	Nut	Brass	
14	Spout gasket	NBR	
15	Spout	ASSY	
16	Aerator	16mm	SAT-AIR032*
17	Connecting pipe	TAQ-PEX-DN6-ACB H3/8-M10X1 L12-500-R&B	SAT-HOSES7*
18	Screw	SUS 304	

* CONSULTAR PARA ACABADOS DE COLOR

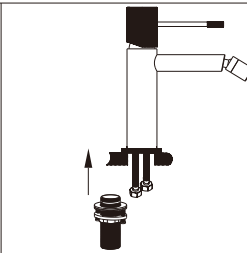
Installing instruction



Step 1. Check all spare parts ready

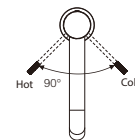
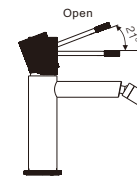


Step 2. Install inlet pipe to faucet body



Step 3. Install screw stick to faucet body

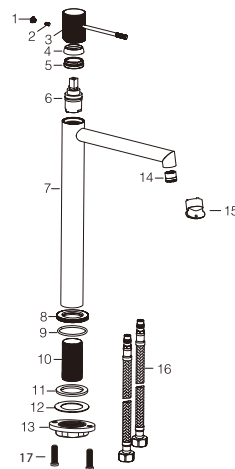
Usage function instruction



**PRODUCT
INFORMATION
SUMMARY**



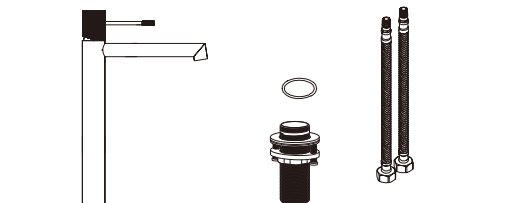
Ref.	EAN	Finish
BDD038-3	8435668011365	Chrome
BDD038-3BGM	8435668012072	Black gun metal
BDD038-3NG	8435668011396	Matte black
BDD038-3GC	8435668011372	Matt gray/Champagne
BDD038-3ORC	8435668033886	Brushed rose gold
BDD038-3OC	8435668011419	Brushed gold
BDD038-3NQ	8435668011402	Brushed nickel



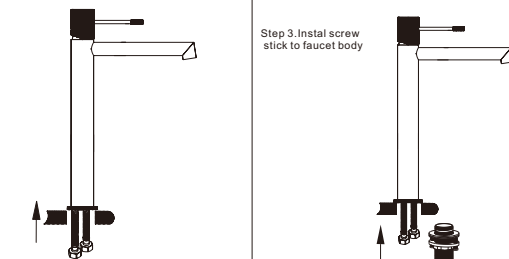
CODE	NAME	MATERIAL	REF
1	Button	ABS	
2	Screw	SUS 304	
3	Handle	Brass	
4	Decorative cap	ABS	
5	Nut	Brass	
6	Cartridge	26mm up	CRT007*
7	Body	Brass	
8	Base	Brass	
9	O-ring	NBR	
10	Lock screw	SUS 304	
11	Washer	NBR	
12	Metal washer	SS 304	
13	Nut	Brass	
14	Aerator	M16.5x1mm	SAT-AIR060*
15	Connecting Pipe	TAQ-PEX-DN6-ACB H3/8-M10X1 L12-500-R&B	SAT-HOSES7*
16	Aerator spanner	Plastic	SAT-KEY005*
17	Screw	SUS 304	

* CONSULTAR PARA ACABADOS DE COLOR

Installing instruction



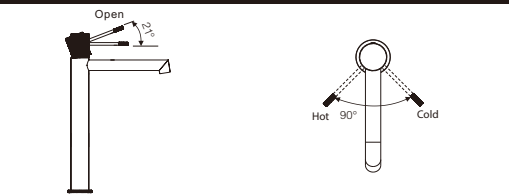
Step 1. Check all spare parts ready



Step 2. Install inlet pipe to faucet body

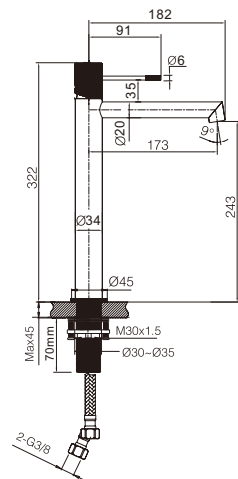
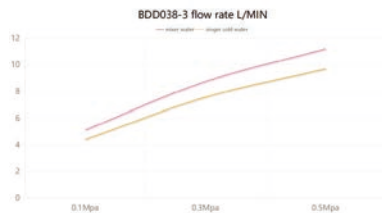
Step 3. Install screw
stick to faucet body

Usage function instruction



FLOW RATE

Detalles	
FLOW RATE REF	BDD038-3
mixer water 0.1Mpa(L/MIN)	5.12
mixer water 0.3Mpa(L/MIN)	8.74
mixer water 0.5Mpa(L/MIN)	11.2
singer cold water 0.1Mpa(L/MIN)	4.41
singer cold water 0.3Mpa(L/MIN)	7.56
singer cold water 0.5Mpa(L/MIN)	9.7



Product sizes (cm)	39*21*5.9
Weight (kg)	1
Guarantee	5 years
Max Preasure (bar)	5
Min Preasure (bar)	0.5
Optimum preasure (bar)	1-4 (Recommended 3)
Max. temperature	85°C
Min temperature	65°C

CERTIFIES

That all our products, provided that they are used in normal conditions or installed in accordance with current standards, are guaranteed against any manufacturing defect for a period of five years, except for products purchased before January 1, 2020, which will have the mandatory coverage of 2 years from the date of invoice.

Requirements and exclusions

Failure to comply with the instructions for assembly, use and maintenance of our products on the packaging and in our catalogue and published on our website: www.imexproducts.es, releases IMEX PRODUCTS, S.L. from any liability.

In any case, the acceptance of the defect by our technical department is necessary. In addition, transport costs will be charged only in the event that on IMEX PRODUCTS, S.L. technician determines the proper functioning of our products.

IMEX PRODUCTS, S.L. will decide to repair the product or replace it. It will be necessary to present the purchase invoice.

Assembly, maintenance or repairs carried out by non-specoalists re excluded from the warranty.

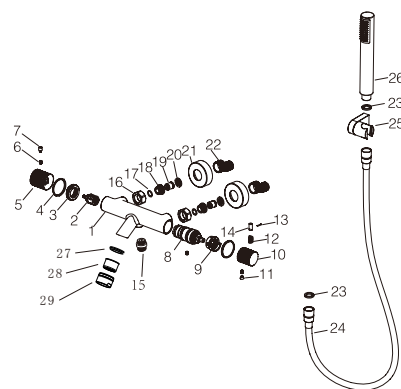
Wearing parts such as hoses, handles, seals, filters, aerators, etc. are not covered by the warranty.



PRODUCT INFORMATION SUMMARY



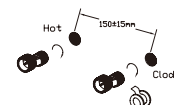
Ref.	EAN	Finish
BTD038-4	8435668013406	Chrome
BTD038-4BGM	8435668013420	Black gun metal
BTD038-4NG	8435668013598	Matte black
BTD038-4GC	8435668013574	Matt gray/Champagne
BTD038-4ORC	8435668034852	Brushed rose gold
BTD038-4OC	8435668012485	Brushed gold
BTD038-4NQ	8435668012386	Brushed nickel



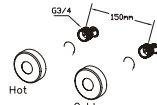
CODE	NAME	MATERIAL	REF	CODE	NAME	MATERIAL	REF
1	Body	Brass		20	Rubber washer	NBR	
2	Cartridge	25mm up		21	Cover	SUS 304	
3	Nut	Brass		22	Cabrio leg	SUS 304	
4	Washer	POM		23	Rubber washer	NBR	
5	Handle	Brass		24	Hose	SUS 304 / PVC	FLX010*
6	Screw	SUS 304		25	Shower seat	ABS	SMD007*
7	Handle lever	Brass		26	Shower hand	ABS	MDR015*
8	Cartridge	32mm	CRT012*	27	Rubber washer	NBR	
9	Washer	POM		28	Aerator	24mm	
10	Handle	Brass		29	percolator	SUS 304	
11	Cover	ABS					
12	Spring	SUS 304					
13	Pin	SUS 304					
14	Handle lever	Brass					
15	Connect	Brass					
16	Nut	Brass					
17	O-ring	NBR					
18	Screw	SUS 304					
19	Valve	ABS					

* CONSULTAR PARA ACABADOS DE COLOR

Installing instruction



Step 1. Connect curved leg with the inlet pipe inside the wall



Step 2. Connect decorative cover to curved leg

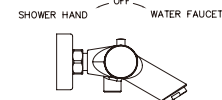
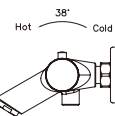


Step 3. Install shower faucet properly, and connect to curved leg on the wall



Step 4. Test function of shower set, clean the set

Usage function instruction

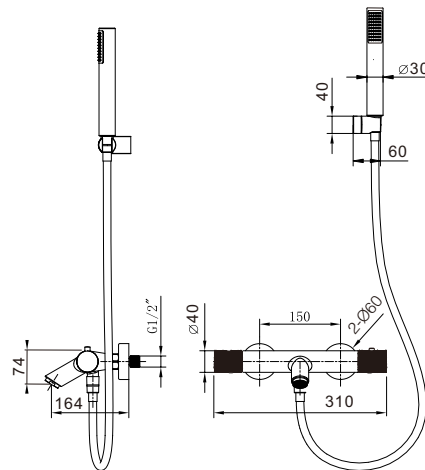
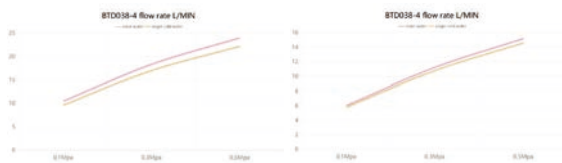


FLOW RATE

Detalles	
FLOW RATE REF	BTD038-4
water outlet mixer water 0.1Mpa(L/MIN)	10.48
water outlet mixer water 0.3Mpa(L/MIN)	18.37
water outlet mixer water 0.5Mpa(L/MIN)	24.02
water outlet singer cold water 0.1Mpa(L/MIN)	9.65
water outlet singer cold water 0.3Mpa(L/MIN)	17.04
water outlet singer cold water 0.5Mpa(L/MIN)	22.2
hand shower mixer water 0.1Mpa(L/MIN)	6.05
hand shower mixer water 0.3Mpa(L/MIN)	11.24
hand shower mixer water 0.5Mpa(L/MIN)	15.2
hand shower singer cold water 0.1Mpa(L/MIN)	5.82
hand shower singer cold water 0.3Mpa(L/MIN)	10.8
hand shower singer cold water 0.5Mpa(L/MIN)	14.6

water outlet

hand shower



Product sizes (cm)	33*19.5*10.5
Weight (kg)	2.7
Guarantee	5 years
Max Preassure (bar)	5
Min Preassure (bar)	0.5
Optimum preassure (bar)	1-4 (Recommended 3)
Max. temperature	85°C
Min temperature	65°C

CERTIFIES

That all our products, provided that they are used in normal conditions or installed in accordance with current standards, are guaranteed against any manufacturing defect for a period of five years, except for products purchased before January 1, 2020, which will have the mandatory coverage of 2 years from the date of invoice.

Requirements and exclusions

Failure to comply with the instructions for assembly, use and maintenance of our products on the packaging and in our catalogue and published on our website: www.imexproducts.es, releases IMEX PRODUCTS, S.L. from any liability.

In any case, the acceptance of the defect by our technical department is necessary. In addition, transport costs will be charged only in the event that on IMEX PRODUCTS, S.L. technician determines the proper functioning of our products.

IMEX PRODUCTS, S.L. will decide to repair the product or replace it. It will be necessary to present the purchase invoice.

Assembly, maintenance or repairs carried out by non-specialists are excluded from the warranty.

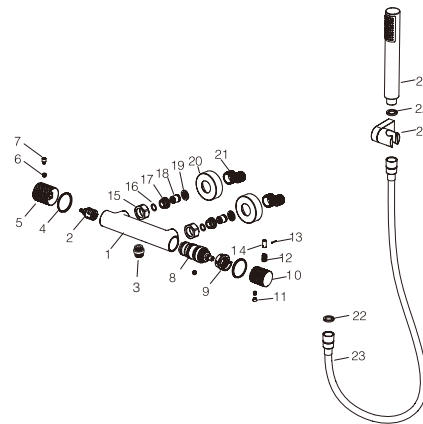
Wearing parts such as hoses, handles, seals, filters, aerators, etc. are not covered by the warranty.



**PRODUCT
INFORMATION
SUMMARY**



Ref.	EAN	Finish
BTD038-5	8435668012553	Chrome
BTD038-5BGM	8435668012652	Black gun metal
BTD038-5NG	8435668012836	Matte black
BTD038-5GC	8435668012737	Matt gray/Champagne
BTD038-SORC	8435668034869	Brushed rose gold
BTD038-SOC	8435668013017	Brushed gold
BTD038-5NQ	8435668012911	Brushed nickel



CODE	NAME	MATERIAL	REF	CODE	NAME	MATERIAL	REF
1	Body	Brass	20	Cover	SUS 304		
2	Cartridge	21mm	CRT081*	21	Cabrio leg	SUS 304	
3	Connect	Brass		22	Rubber washer	NBR	
4	Washer	POM		23	Hose	SUS 304/PVC	FLX010*
5	Handle	Brass		24	Shower seat	ABS	SMD007*
6	Screw	SUS 304		25	Shower hand	ABS	MDR015*
7	Handle lever	Brass					
8	Cartridge	32mm	CRT012*				
9	Washer	POM					
10	Handle	Brass					
11	Cover	ABS					
12	Spring	SUS 304					
13	Pin	SUS 304					
14	Handle lever	brass					
15	Nut	brass					
16	O-ring	NBR					
17	Screw	SUS 304					
18	Valve	ABS					
19	Rubber washer	NBR					

* CONSULTAR PARA ACABADOS DE COLOR

Installing instruction

Hot Cold 150x15mm

Hot Cold 63/4 150mm

Step 1. Connect curved leg with the inlet pipe inside the wall

Step 2. Connect decorative cover to curved leg

Step 3. Install shower faucet properly, and connect to curved leg on the wall

Step 4. Test function of shower set, clean the set

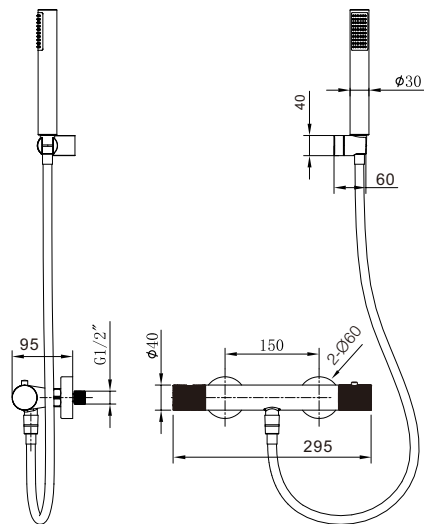
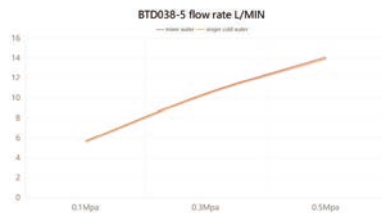
Usage function instruction

Hot Cold 38°

SHOWER HAND OFF

FLOW RATE

Detalles	
FLOW RATE REF	BTD038-5
mixer water 0.1Mpa(L/MIN)	5.71
mixer water 0.3Mpa(L/MIN)	10.44
mixer water 0.5Mpa(L/MIN)	14.1
singer cold water 0.1Mpa(L/MIN)	5.68
singer cold water 0.3Mpa(L/MIN)	10.39
singer cold water 0.5Mpa(L/MIN)	13.96



Product sizes (cm)	33*19.5*10.5
Weight (kg)	2.3
Guarantee	5 years
Max Preassure (bar)	5
Min Preassure (bar)	0.5
Optimum preassure (bar)	1-4 (Recommended 3)
Max. temperature	85°C
Min temperature	65°C

CERTIFIES

That all our products, provided that they are used in normal conditions or installed in accordance with current standards, are guaranteed against any manufacturing defect for a period of five years, except for products purchased before January 1, 2020, which will have the mandatory coverage of 2 years from the date of invoice.

Requirements and exclusions

Failure to comply with the instructions for assembly, use and maintenance of our products on the packaging and in our catalogue and published on our website: www.imexproducts.es, releases IMEX PRODUCTS, S.L. from any liability.

In any case, the acceptance of the defect by our technical department is necessary. In addition, transport costs will be charged only in the event that on IMEX PRODUCTS, S.L. technician determines the proper functioning of our products.

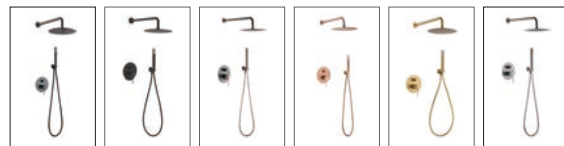
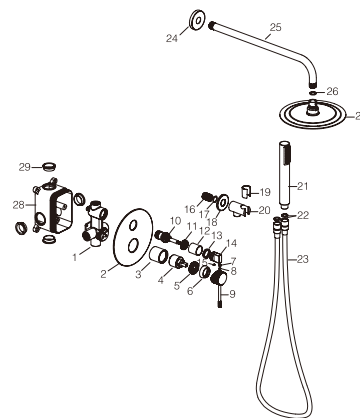
IMEX PRODUCTS, S.L. will decide to repair the product or replace it. It will be necessary to present the purchase invoice.

Assembly, maintenance or repairs carried out by non-specialists are excluded from the warranty.

Wearing parts such as hoses, handles, seals, filters, aerators, etc. are not covered by the warranty.



**PRODUCT
INFORMATION
SUMMARY**

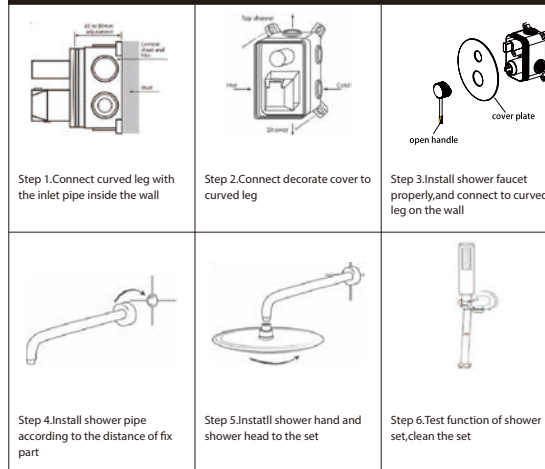


Ref.	EAN	Finish
GPD038	8435668013734	Chrome
GPD038-BGM	8435668013758	Black gun metal
GPD038-NG	8435668013796	Matte black
GPD038-GC	8435668013772	Matt gray/Champagne
GPD038-ORC	8435668035415	Brushed rose gold
GPD038-OC	8435668012416	Brushed gold
GPD038-NQ	8435668013819	Brushed nickel

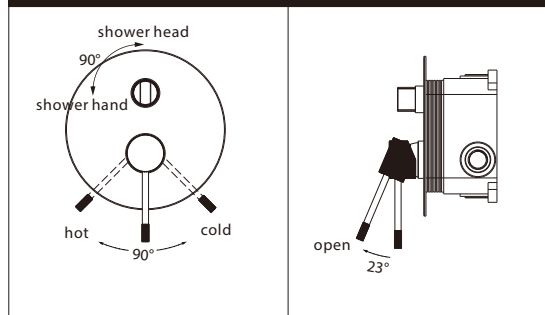
CODE	NAME	MATERIAL	REF	CODE	NAME	MATERIAL	REF
1	Body	Brass		20	Body	Brass	
2	Decorative plate	SUS 304		21	Shower	Plastic	MDR015*
3	Cartridge cover	Brass		22	Rubber ring	NBR	
4	Cartridge	35mm	CRT006*	23	Hose	SUS 304/PVC	FLX005*
5	Nut	Brass		24	Cover	SUS 304	
6	Decorative cup	ABS		25	Hose	SUS 304/PVC	
7	Button	ABS		26	Rubber ring	NBR	
8	Screw	SUS 304		27	Shower head	SUS 304	RDN002*
9	Handle	Brass		28	BOX	ABS	
10	Cartridge	Brass/27mm	CRT070*	29	Rubber ring	ABS	
11	Nut	Brass					
12	Cover	Brass					
13	Plastic washer	Plastic					
14	Handle	Zinc					
15	Screw	SUS 304					
16	Connect	Brass					
17	O-ring	NBR					
18	Cover	Brass					
19	Plastic washer	Plastic					

* CONSULTAR PARA ACABADOS DE COLOR

Installing instruction



Usage function instruction

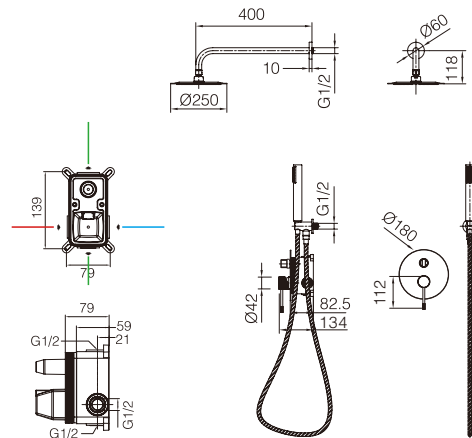
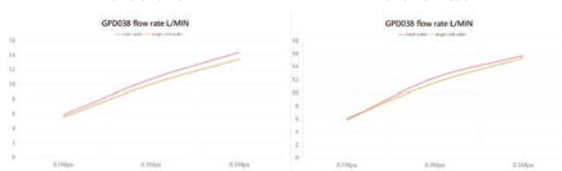


FLOW RATE

Detalles	
FLOW RATE REF	GPD038
hand shower mixer water 0.1Mpa(L/MIN)	5.85
hand shower mixer water 0.3Mpa(L/MIN)	10.74
hand shower mixer water 0.5Mpa(L/MIN)	14.43
hand shower singer cold water 0.1Mpa(L/MIN)	5.55
hand shower singer cold water 0.3Mpa(L/MIN)	10.05
hand shower singer cold water 0.5Mpa(L/MIN)	13.48
shower head mixer water 0.1Mpa(L/MIN)	5.87
shower head mixer water 0.3Mpa(L/MIN)	12.34
shower head mixer water 0.5Mpa(L/MIN)	15.75
shower head singer cold water 0.1Mpa(L/MIN)	6.1
shower head singer cold water 0.3Mpa(L/MIN)	11.58
shower head singer cold water 0.5Mpa(L/MIN)	15.37

hand shower

shower head



Product sizes (cm)	43*30*14
Weight (kg)	4.2
Guarantee	5 years
Max Preassure (bar)	5
Min Preassure (bar)	0.5
Optimum preassure (bar)	1-4 (Recommended 3)
Max. temperature	85°C
Min temperature	65°C

CERTIFIES

That all our products, provided that they are used in normal conditions or installed in accordance with current standards, are guaranteed against any manufacturing defect for a period of five years, except for products purchased before January 1, 2020, which will have the mandatory coverage of 2 years from the date of invoice.

Requirements and exclusions

Failure to comply with the instructions for assembly, use and maintenance of our products on the packaging and in our catalogue and published on our website: www.imexproducts.es, releases IMEX PRODUCTS, S.L. from any liability.

In any case, the acceptance of the defect by our technical department is necessary. In addition, transport costs will be charged only in the event that on IMEX PRODUCTS, S.L. technician determines the proper functioning of our products.

IMEX PRODUCTS, S.L. will decide to repair the product or replace it. It will be necessary to present the purchase invoice.

Assembly, maintenance or repairs carried out by non-specialists are excluded from the warranty.

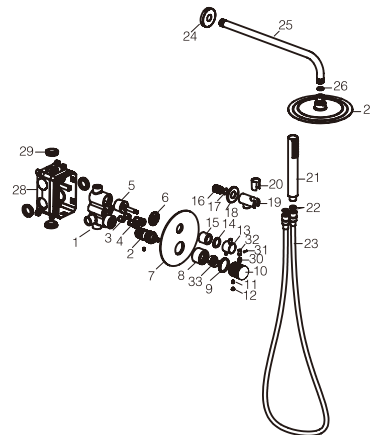
Wearing parts such as hoses, handles, seals, filters, aerators, etc. are not covered by the warranty.



**PRODUCT
INFORMATION
SUMMARY**



Ref.	EAN	Finish
GTD038	8435668013253	Chrome
GTD038-BGM	8435668013390	Black gun metal
GTD038-NG	8435668013567	Matte black
GTD038-GC	8435668013437	Matt gray/Champagne
GTD038-ORC	8435668035668	Brushed rose gold
GTD038-OC	8435668013673	Brushed gold
GTD038-NQ	8435668013604	Brushed nickel



CODE	NAME	MATERIAL	REF	CODE	NAME	MATERIAL	REF
1	Body	Brass		20	Plastic washer	Plastic	
2	Cartridge	32mm	CRT012*	21	Shower hand	Plastic	MDR015*
3	Check valve	ASSY		22	Rubber ring	NBR	
4	Control valve	ASSY		23	Hose	SUS 304 / PVC	FLX005*
5	Cartridge	33mm up	CRT067*	24	Cover	SUS 304	
6	Nut	Brass		25	Hose	SUS 304	BPR001*
7	Decorative plate	SUS 304		26	Rubber ring	NBR	
8	Cartridge cover	Brass		27	Shower head	SUS 304	RDN002*
9	Plastic washer	Plastic		28	BOX	ABS	
10	Handle	Brass		29	Rubber ring	NBR	
11	Screw	SUS 304		30	Spring	SUS 304	
12	Button	ABS		31	Pin	SUS 304	
13	Handle	Brass		32	Handle lever	Brass	
14	Plastic washer	Plastic		33	Washer	POM	
15	Cover	Brass					
16	Connect	Brass					
17	O-ring	NBR					
18	Cover	Brass					
19	Body	Brass					

* CONSULTAR PARA ACABADOS DE COLOR

Installing instruction

Step 1. Connect curved leg with the inlet pipe inside the wall

Step 2. Connect decorative cover to curved leg

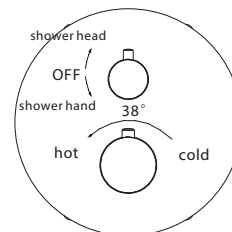
Step 3. Install shower faucet properly, and connect to curved leg on the wall

Step 4. Install shower pipe according to the distance of fix part

Step 5. Install shower hand and shower head to the set

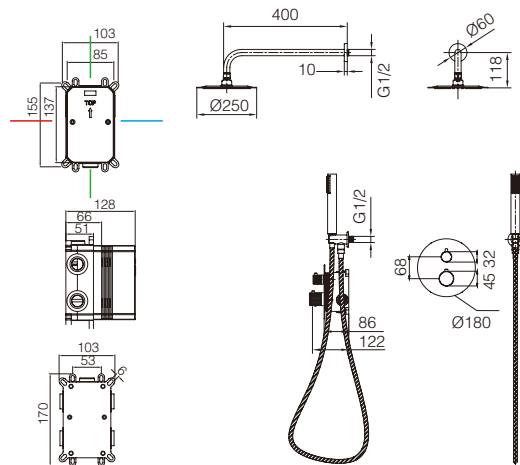
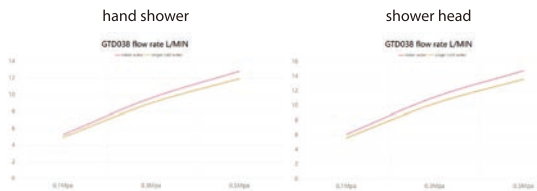
Step 6. Test function of shower set, clean the set

Usage function instruction



FLOW RATE

Details	
FLOW RATE REF	GTD038
hand shower mixer water 0.1Mpa(L/MIN)	5.27
hand shower mixer water 0.3Mpa(L/MIN)	9.62
hand shower mixer water 0.5Mpa(L/MIN)	12.84
hand shower singer cold water 0.1Mpa(L/MIN)	4.95
hand shower singer cold water 0.3Mpa(L/MIN)	9.02
hand shower singer cold water 0.5Mpa(L/MIN)	11.95
shower head mixer water 0.1Mpa(L/MIN)	6.1
shower head mixer water 0.3Mpa(L/MIN)	11.16
shower head mixer water 0.5Mpa(L/MIN)	14.76
shower head singer cold water 0.1Mpa(L/MIN)	5.63
shower head singer cold water 0.3Mpa(L/MIN)	10.28
shower head singer cold water 0.5Mpa(L/MIN)	13.6



Product sizes (cm)	43*30*14
Weight (kg)	4.8
Guarantee	5 years
Max Preassure (bar)	5
Min Preassure (bar)	0.5
Optimum preassure (bar)	1-4 (Recommended 3)
Max. temperature	85°C
Min temperature	65°C

CERTIFIES

That all our products, provided that they are used in normal conditions or installed in accordance with current standards, are guaranteed against any manufacturing defect for a period of five years, except for products purchased before January 1, 2020, which will have the mandatory coverage of 2 years from the date of invoice.

Requirements and exclusions

Failure to comply with the instructions for assembly, use and maintenance of our products on the packaging and in our catalogue and published on our website: www.imexproducts.es, releases IMEX PRODUCTS, S.L. from any liability.

In any case, the acceptance of the defect by our technical department is necessary. In addition, transport costs will be charged only in the event that on IMEX PRODUCTS, S.L. technician determines the proper functioning of our products.

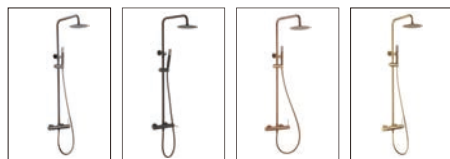
IMEX PRODUCTS, S.L. will decide to repair the product or replace it. It will be necessary to present the purchase invoice.

Assembly, maintenance or repairs carried out by non-specialists are excluded from the warranty.

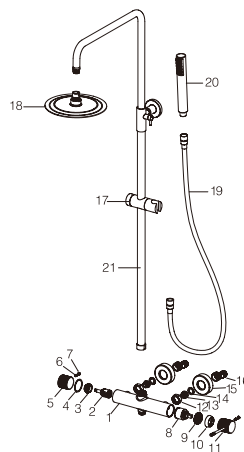
Wearing parts such as hoses, handles, seals, filters, aerators, etc. are not covered by the warranty.



PRODUCT INFORMATION SUMMARY



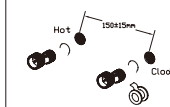
Ref.	EAN	Finish
BDD038	8435668012799	Chrome
BDD038/BGM	8435668032995	Black gun metal
BDD038/NG	8435668012959	Matte black
BDD038/ORC	8435668039109	Brushed rose gold
BDD038/OC	8435668030762	Brushed gold



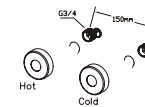
CODE	NAME	MATERIAL	REF
1	Body	Brass	
2	Cartridge	25mm up	CRT068*
3	Nut	Brass	
4	Washer	Pom	
5	Handle	Brass	
6	Screw	SUS 304	
7	Cover	ABS	
8	Cartridge	35mm	CRT006*
9	Nut	Brass	
10	Cover	ABS	
11	Handle	Brass	
12	Nut	Brass	
13	Valve	SUS 304	
14	Rubber washer	NBR	
15	Cover	SUS 304	
16	Cabrio leg	SUS 304	
17	Slider	ABS	BR0014*
18	Shower head	SUS 304	RDN001*
19	Hose	SUS 304/PVC	FLX005*
20	Shower hand	ABS	MDR015*
21	Pipe	SUS 304	RR0011*

* CONSULTAR PARA ACABADOS DE COLOR

Installing instruction



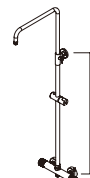
Step 1. Connect curved leg with the inlet pipe inside the wall



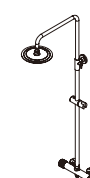
Step 2. Connect decorative cover to curved leg



Step 3. Install shower faucet properly and connect to curved leg on the wall



Step 4. Install shower pipe according to the distance of fix part

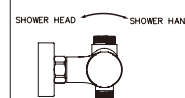
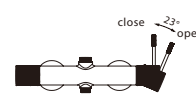
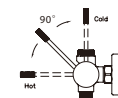


Step 5. Install shower hand and shower head to the set



Step 6. Test function of shower set, clean the set

Usage function instruction

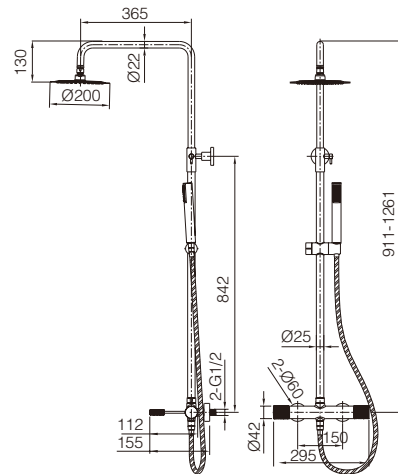
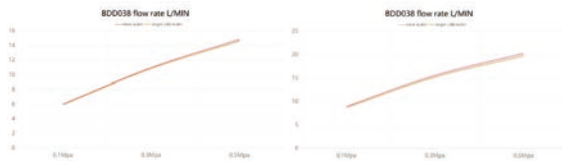


FLOW RATE

Detalles	
FLOW RATE REF	BDD038
hand shower mixer water 0.1Mpa(L/MIN)	6.03
hand shower mixer water 0.3Mpa(L/MIN)	10.95
hand shower mixer water 0.5Mpa(L/MIN)	14.84
hand shower singer cold water 0.1Mpa(L/MIN)	5.98
hand shower singer cold water 0.3Mpa(L/MIN)	10.86
hand shower singer cold water 0.5Mpa(L/MIN)	14.61
shower head mixer water 0.1Mpa(L/MIN)	8.92
shower head mixer water 0.3Mpa(L/MIN)	15.58
shower head mixer water 0.5Mpa(L/MIN)	20.27
shower head singer cold water 0.1Mpa(L/MIN)	8.76
shower head singer cold water 0.3Mpa(L/MIN)	15.24
shower head singer cold water 0.5Mpa(L/MIN)	19.75

hand shower

shower head



Product sizes (cm)	42.5*13.3*90
Weight (kg)	5.8
Guarantee	5 years
Max Preassure (bar)	5
Min Preassure (bar)	0.5
Optimum preassure (bar)	1-4 (Recommended 3)
Max. temperature	85°C
Min temperature	65°C

CERTIFIES

That all our products, provided that they are used in normal conditions or installed in accordance with current standards, are guaranteed against any manufacturing defect for a period of five years, except for products purchased before January 1, 2020, which will have the mandatory coverage of 2 years from the date of invoice.

Requirements and exclusions

Failure to comply with the instructions for assembly, use and maintenance of our products on the packaging and in our catalogue and published on our website: www.imexproducts.es, releases IMEX PRODUCTS, S.L. from any liability.

In any case, the acceptance of the defect by our technical department is necessary. In addition, transport costs will be charged only in the event that on IMEX PRODUCTS, S.L. technician determines the proper functioning of our products.

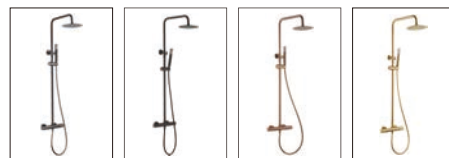
IMEX PRODUCTS, S.L. will decide to repair the product or replace it. It will be necessary to present the purchase invoice.

Assembly, maintenance or repairs carried out by non-specialists are excluded from the warranty.

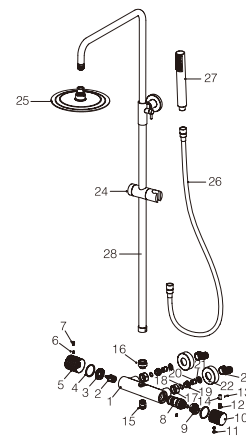
Wearing parts such as hoses, handles, seals, filters, aerators, etc. are not covered by the warranty.



PRODUCT INFORMATION SUMMARY



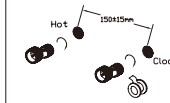
Ref.	EAN	Finish
BTD038	8435668013222	Chrome
BTD038/BGM	8435668031233	Black gun metal
BTD038/NG	8435668013246	Matte black
BTD038/ORC	8435668039130	Brushed rose gold
BTD038/OC	8435668023207	Brushed gold



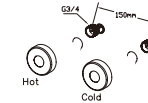
CODE	NAME	MATERIAL	REF	CODE	NAME	MATERIAL	REF
1	Body	Brass	20	20	Valve	ABS	
2	Cartridge	25mm up	CRT068*	21	Rubber washer	NBR	
3	Nut	Brass	22	22	Cover	SUS 304	
4	Washer	POM	23	23	Cabrio leg	SUS 304	
5	Handle	Brass	24	24	Slider	ABS	RR0014*
6	Screw	SUS 304	25	25	Shower head	SUS 304	RDN001*
7	Handle lever	Brass	26	26	Hose	SUS 304/PVC	FLX005*
8	Cartridge	32mm	CRT012*	27	Shower hand	ABS	MDR015*
9	Washer	POM	28	28	Pipe	SUS 304	RR0011*
10	Handle	Brass					
11	Cover	ABS					
12	Spring	SUS 304					
13	Pin	SUS 304					
14	Handle lever	Brass					
15	Connect	Brass					
16	Connect	Brass					
17	Nut	Brass					
18	O-ring	NBR					
19	Screw	SUS 304					

* CONSULTAR PARA ACABADOS DE COLOR

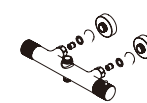
Installing instruction



Step 1. Connect curved leg to the inlet pipe inside the wall



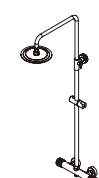
Step 2. Connect decorative cover to curved leg



Step 3. Install shower faucet properly and connect to curved leg on the wall



Step 4. Install shower pipe according to the distance of fix part

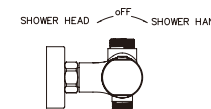
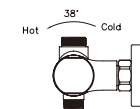


Step 5. Install shower hand and shower head to the set



Step 6. Test function of shower set, clean the set

Usage function instruction

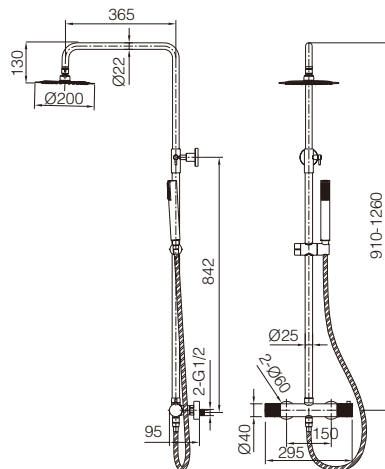
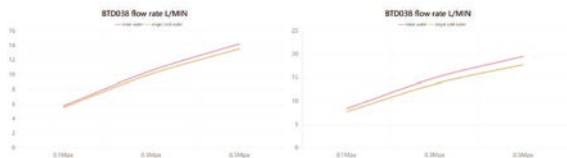


FLOW RATE

Detalles	
FLOW RATE REF	BTD038
hand shower mixer water 0.1Mpa(L/MIN)	5.77
hand shower mixer water 0.3Mpa(L/MIN)	10.57
hand shower mixer water 0.5Mpa(L/MIN)	14.24
hand shower singer cold water 0.1Mpa(L/MIN)	5.58
hand shower singer cold water 0.3Mpa(L/MIN)	10.12
hand shower singer cold water 0.5Mpa(L/MIN)	13.57
shower head mixer water 0.1Mpa(L/MIN)	8.43
shower head mixer water 0.3Mpa(L/MIN)	14.97
shower head mixer water 0.5Mpa(L/MIN)	19.57
shower head singer cold water 0.1Mpa(L/MIN)	7.77
shower head singer cold water 0.3Mpa(L/MIN)	13.7
shower head singer cold water 0.5Mpa(L/MIN)	17.8

hand shower

shower head



Product sizes (cm)	42.5*13.3*90
Weight (kg)	5.5
Guarantee	5 years
Max Preassure (bar)	5
Min Preassure (bar)	0.5
Optimum preassure (bar)	1-4 (Recommended 3)
Max. temperature	85°C
Min temperature	65°C

CERTIFIES

That all our products, provided that they are used in normal conditions or installed in accordance with current standards, are guaranteed against any manufacturing defect for a period of five years, except for products purchased before January 1, 2020, which will have the mandatory coverage of 2 years from the date of invoice.

Requirements and exclusions

Failure to comply with the instructions for assembly, use and maintenance of our products on the packaging and in our catalogue and published on our website: www.imexproducts.es, releases IMEX PRODUCTS, S.L. from any liability.

In any case, the acceptance of the defect by our technical department is necessary. In addition, transport costs will be charged only in the event that on IMEX PRODUCTS, S.L. technician determines the proper functioning of our products.

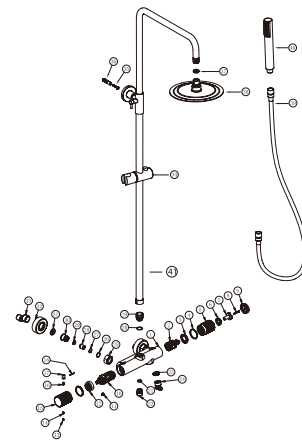
IMEX PRODUCTS, S.L. will decide to repair the product or replace it. It will be necessary to present the purchase invoice.

Assembly, maintenance or repairs carried out by non-specialists are excluded from the warranty.

Wearing parts such as hoses, handles, seals, filters, aerators, etc. are not covered by the warranty.



**PRODUCT
INFORMATION
SUMMARY**

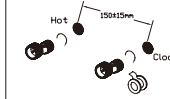


Ref.	EAN	Finish
BTD038-B	8435668013093	Chrome
BTD038-B/NG	8435668013192	Matte black

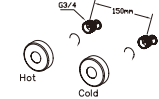
CODE	NAME	MATERIAL	REF	CODE	NAME	MATERIAL	REF
1	Body	Brass	20	O-Ring	NBR		
2	Cartridge	Component	CRT092*	21	O-Ring	NBR	
3	Press Cover	Brass	22	Connect	Brass		
4	Washer	POM	23	Aerator	Component		
5	Handle	zinc	24	Aerator spanner	plastic		
6	Press Cover	Brass	25	Nut	Brass		
7	Button	ABS	26	O-Ring	NBR		
8	Screw	SUS 304	27	Clip	SUS 304		
9	Button	ABS	28	Valve	POM		
10	Cartridge	32mm	CRT012*	29	Net	SUS 304	
11	Screw	SUS 304	30	Connector	Brass		
12	Washer	POM	31	Net	Component		
13	Silicone Cover	Silicone	32	Decorative Cup	SUS 304		
14	Hexon Screw	SUS 304	33	Eccentric	SUS 304		
15	Handle	Zinc	34	Slider	ABS	RR0014*	
16	Spring	SUS 304	38	Shower head	SUS 304	RDN001*	
17	Handle lever	ABS	39	Hose	SUS 304/PVC	FLX005*	
18	Pin	SUS 304	40	Shower hand	ABS	MDR015*	
19	Connect	Brass	41	Pipe	SUS 304	RR0012*	

* CONSULTAR PARA ACABADOS DE COLOR

Installing instruction



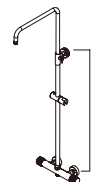
Step 1. Connect curved leg with the inlet pipe inside the wall



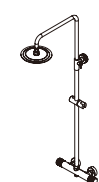
Step 2. Connect decorative cover to curved leg



Step 3. Install shower faucet properly and connect to curved leg on the wall



Step 4. Install shower pipe according to the distance of fix part

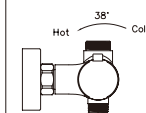


Step 5. Install shower hand and shower head to the set



Step 6. Test function of shower set, clean the set

Usage function instruction

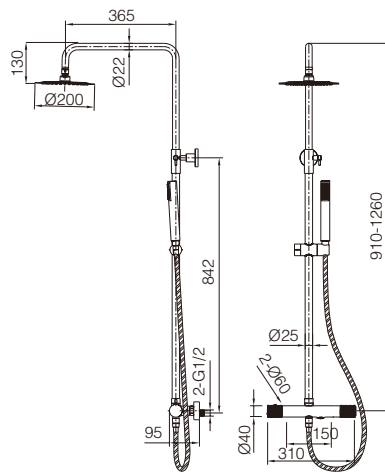
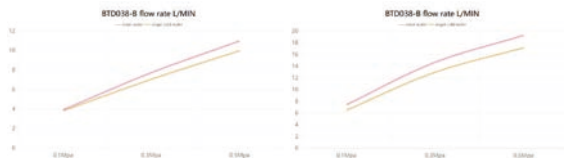


FLOW RATE

Detailles	
FLOW RATE REF	BTD038-B
hand shower mixer water 0.1Mpa(L/MIN)	3.94
hand shower mixer water 0.3Mpa(L/MIN)	7.75
hand shower mixer water 0.5Mpa(L/MIN)	11
hand shower singer cold water 0.1Mpa(L/MIN)	3.84
hand shower singer cold water 0.3Mpa(L/MIN)	7.07
hand shower singer cold water 0.5Mpa(L/MIN)	10
shower head mixer water 0.1Mpa(L/MIN)	7.46
shower head mixer water 0.3Mpa(L/MIN)	14.7
shower head mixer water 0.5Mpa(L/MIN)	19.3
shower head singer cold water 0.1Mpa(L/MIN)	6.52
shower head singer cold water 0.3Mpa(L/MIN)	13
shower head singer cold water 0.5Mpa(L/MIN)	17.2

hand shower

shower head



Product sizes (cm)	42.5*13.3*90
Weight (kg)	6.1
Guarantee	5 years
Max Preassure (bar)	5
Min Preassure (bar)	0.5
Optimum preassure (bar)	1-4 (Recommended 3)
Max. temperature	85°C
Min temperature	65°C

CERTIFIES

That all our products, provided that they are used in normal conditions or installed in accordance with current standards, are guaranteed against any manufacturing defect for a period of five years, except for products purchased before January 1, 2020, which will have the mandatory coverage of 2 years from the date of invoice.

Requirements and exclusions

Failure to comply with the instructions for assembly, use and maintenance of our products on the packaging and in our catalogue and published on our website: www.imexproducts.es, releases IMEX PRODUCTS, S.L. from any liability.

In any case, the acceptance of the defect by our technical department is necessary. In addition, transport costs will be charged only in the event that on IMEX PRODUCTS, S.L. technician determines the proper functioning of our products.

IMEX PRODUCTS, S.L. will decide to repair the product or replace it. It will be necessary to present the purchase invoice.

Assembly, maintenance or repairs carried out by non-specoalists re excluded from the warranty.

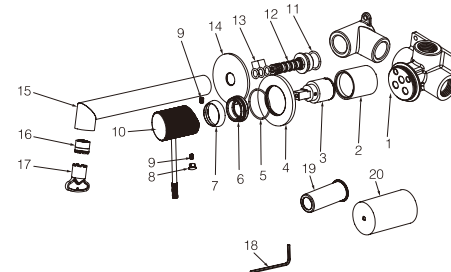
Wearing parts such as hoses, handles, seals, filters, aerators, etc. are not covered by the warranty.



**PRODUCT
INFORMATION
SUMMARY**



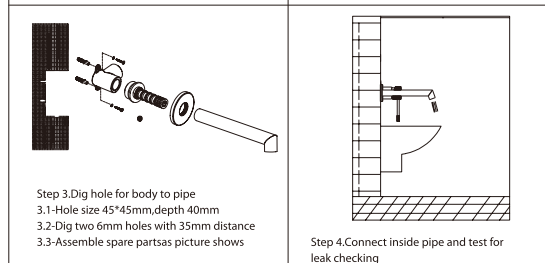
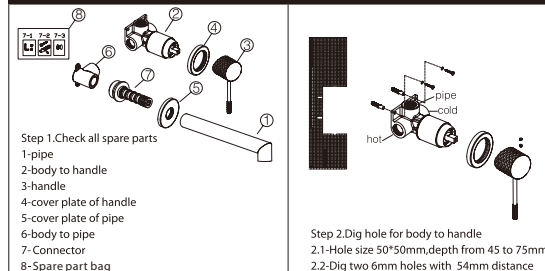
Ref.	EAN	Finish
GLD038	8435668011426	Chrome
GLD038-BGM	8435668012096	Black gun metal
GLD038-NG	8435668011457	Matte black
GLD038-GC	8435668011433	Matt gray/Champagne
GLD038-ORC	8435668035170	Brushed rose gold
GLD038-OC	8435668011471	Brushed gold
GLD038-NQ	8435668011464	Brushed nickel



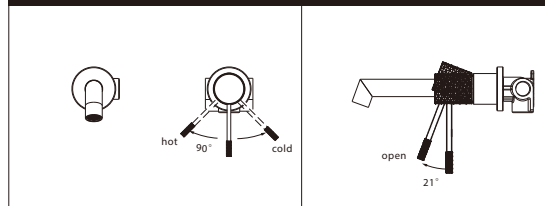
CODE	NAME	MATERIAL	REF
1	Main body	Brass	
2	Decorative tube	Brass	
3	Cartridge	25mm	CRT018*
4	Handle cover board	Brass	
5	O-ring	NBR	
6	Cartridge cover	Brass	
7	Decorative cover	Brass	
8	Button	ABS	
9	Screw M5,L=5	SUS 304	
10	Handle	Brass	
11	O-ring	NBR	
12	Connector	Brass	
13	O-ring	NBR	
14	Spout cover board	Brass	
15	Spout	Brass	
16	Aerator	16.5mm	SAT-AIR060*
17	Aerator key	Plastic	SAT-KEY005*
18	Allen key	SUS 304	
19	Protective cover	Plastic	
20	Protective cover	Plastic	

* CONSULTAR PARA ACABADOS DE COLOR

Installing instruction

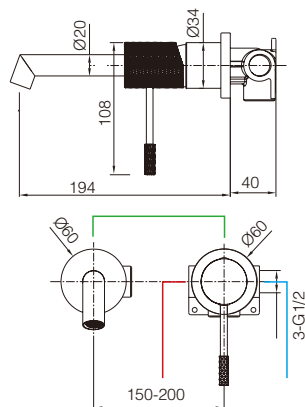
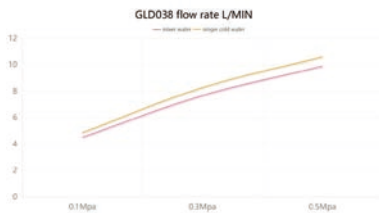


Usage function instruction



FLOW RATE

Detalles	
FLOW RATE REF	GLD038
mixer water 0.1Mpa(L/MIN)	4.51
mixer water 0.3Mpa(L/MIN)	7.67
mixer water 0.5Mpa(L/MIN)	9.89
singer cold water 0.1Mpa(L/MIN)	4.86
singer cold water 0.3Mpa(L/MIN)	8.27
singer cold water 0.5Mpa(L/MIN)	10.6



Product sizes (cm)	29*17.5*6.7
Weight (kg)	1
Guarantee	5 years
Max Preassure (bar)	5
Min Preassure (bar)	0.5
Optimum preassure (bar)	1-4 (Recommended 3)
Max. temperature	85°C
Min temperature	65°C

CERTIFIES

That all our products, provided that they are used in normal conditions or installed in accordance with current standards, are guaranteed against any manufacturing defect for a period of five years, except for products purchased before January 1, 2020, which will have the mandatory coverage of 2 years from the date of invoice.

Requirements and exclusions

Failure to comply with the instructions for assembly, use and maintenance of our products on the packaging and in our catalogue and published on our website: www.imexproducts.es, releases IMEX PRODUCTS, S.L. from any liability.

In any case, the acceptance of the defect by our technical department is necessary. In addition, transport costs will be charged only in the event that an IMEX PRODUCTS, S.L. technician determines the proper functioning of our products.

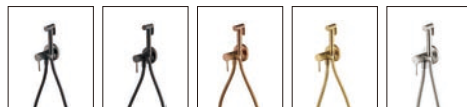
IMEX PRODUCTS, S.L. will decide to repair the product or replace it. It will be necessary to present the purchase invoice.

Assembly, maintenance or repairs carried out by non-specialists are excluded from the warranty.

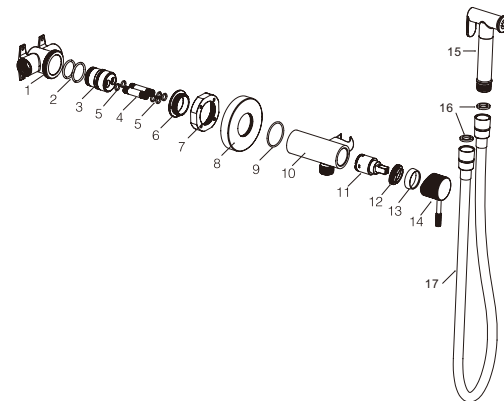
Wearing parts such as hoses, handles, seals, filters, aerators, etc. are not covered by the warranty.



PRODUCT INFORMATION SUMMARY



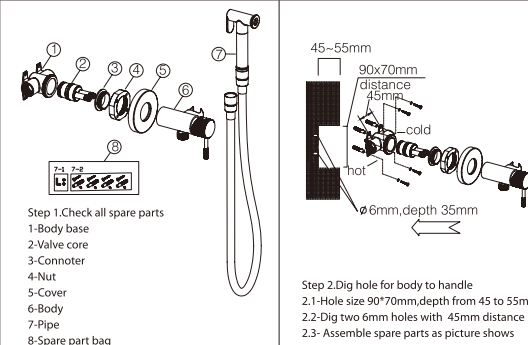
Ref.	EAN	Finish
RDD038	8435668035958	Chrome
RDD038-BGM	8435668035965	Black gun metal
RDD038-NG	8435668035972	Matte black
RDD038-ORC	8435668036009	Brushed rose gold
RDD038-OC	8435668035996	Brushed gold
RDD038-NQ	8435668035989	Brushed nickel



CODE	NAME	MATERIAL	REF
1	Body	Brass	
2	O-ring	NBR	
3	Connect	Brass	
4	Hose	Brass	
5	O-ring	NBR	
6	Connect	Brass	
7	Nut	Brass	
8	Cover	Brass	
9	O-ring	NBR	
10	Body	Brass	
11	Cartridge	25mm	CRT018*
12	Nut	Brass	
13	Decorative cup	ABS	
14	Handle	Brass	
15	Spray gun	SUS 304	SMD005*
16	Rubber	NBR	
17	Hose	SUS 304/PVC	FLX008*

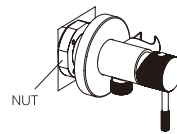
* CONSULTAR PARA ACABADOS DE COLOR

Installing instruction



- Step 1. Check all spare parts
- 1- Body base
 - 2- Valve core
 - 3- Connoter
 - 4- Nut
 - 5- Cover
 - 6- Body
 - 7- Pipe
 - 8- Spare part bag

- Step 2. Dig hole for body to handle
- 2.1- Hole size 90*70mm, depth from 45 to 55mm
 - 2.2- Dig two 6mm holes with 45mm distance
 - 2.3- Assemble spare parts as picture shows

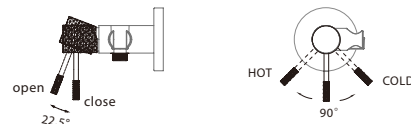


Step 3. Lock the nuts on the body base.



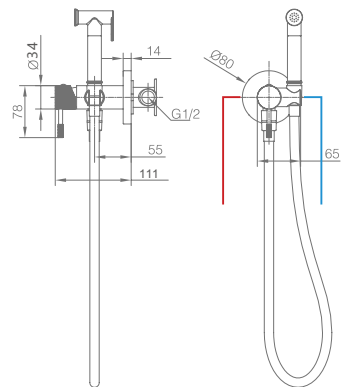
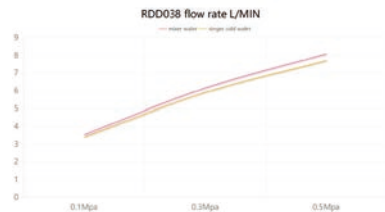
Step 4. Connect inside pipe and test for leak checking

Usage function instruction



FLOW RATE

Detalles	
FLOW RATE REF	RDD038
mixer water 0.1Mpa(L/MIN)	3.54
mixer water 0.3Mpa(L/MIN)	6.15
mixer water 0.5Mpa(L/MIN)	8.08
singer cold water 0.1Mpa(L/MIN)	3.4
singer cold water 0.3Mpa(L/MIN)	5.9
singer cold water 0.5Mpa(L/MIN)	7.69



Product sizes (cm)	19.5*13*15
Weight (kg)	1.7
Guarantee	5 years
Max Preasure (bar)	5
Min Preasure (bar)	0.5
Optimum preasure (bar)	1-4 (Recommended 3)
Max. temperature	85°C
Min temperature	65°C

CERTIFIES

That all our products, provided that they are used in normal conditions or installed in accordance with current standards, are guaranteed against any manufacturing defect for a period of five years, except for products purchased before January 1, 2020, which will have the mandatory coverage of 2 years from the date of invoice.

Requirements and exclusions

Failure to comply with the instructions for assembly, use and maintenance of our products on the packaging and in our catalogue and published on our website: www.imexproducts.es, releases IMEX PRODUCTS, S.L. from any liability.

In any case, the acceptance of the defect by our technical department is necessary. In addition, transport costs will be charged only in the event that on IMEX PRODUCTS, S.L. technician determines the proper functioning of our products.

IMEX PRODUCTS, S.L. will decide to repair the product or replace it. It will be necessary to present the purchase invoice.

Assembly, maintenance or repairs carried out by non-specoalists re excluded from the warranty.

Wearing parts such as hoses, handles, seals, filters, aerators, etc. are not covered by the warranty.

