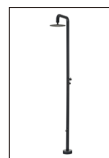


# POOLIMEX

## MICHIGAN

Series

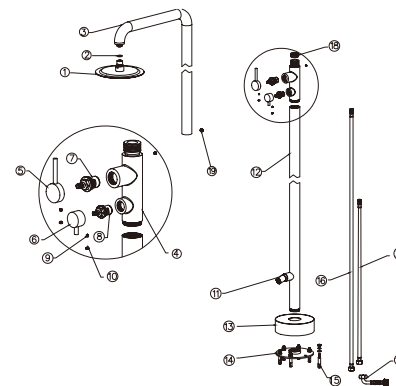


Ref.	EAN	Finish
GPM007/AC	8435668058728	ACERO S.316
GPM007/ANG	8435668058735	NEGRO MATE

## POOLIMEX

## MICHIGAN

Series



CODE	NAME	MATERIAL	REF
1	Ø250mm G1/2 shower head	SUS 316	
2	G1/2 rubber	NBR	
3	upper pipe	SUS 316	
4	faucet body	SUS 316	
5	handle	SUS 316	
6	handle	SUS 316	
7	MINGRUI HQ2118 cartridge	assembly	Ø23.5MM
8	MINGRUI HQ1028 cartridge	assembly	Ø18.5MM
9	5mm*6mm screw	SUS 304	
10	color button	NBR	
11	effluent	SUS 316	
12	down pipe	SUS 316	
13	Ø160mm cover plate(50mm hole)	SUS 316	
14	Ø152mm fixed seat(50mm hole)	SUS 316	
15	screw	SUS 304	
16	1.3m*Ø12mm G1/2 inlet pipe	SUS 316	
17	G1/2 elbow connection	SUS 316	
18	36*3.2 mm rubber	NBR	
19	6mm*8mm screw	SUS 304	
20	820mm*Ø12mm G1/2 inlet pipe	SUS 316	

\* CONSULTAR PARA ACABADOS DE COLOR

## POOLIMEX

## MICHIGAN

Series

Installing instruction

Step 1.Embedd water pipe underground

Step 2.Connect the inlet pipe

Step 3.Tighten the screws

Step 4.Close the cover

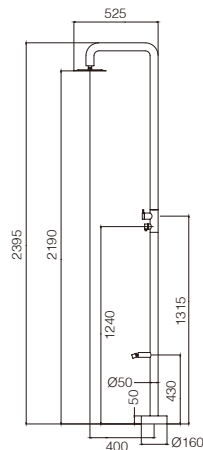
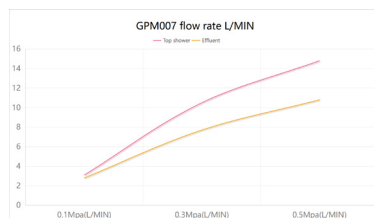
Step 5.Connect the faucet body with the pipes

Step 6.Connect the shower head

## POOLIMEX

## FLOW RATE

Detalles	
FLOW RATE REF	GPM007
Top shower 0.1Mpa(L/MIN)	3.1
Top shower 0.3Mpa(L/MIN)	10.5
Top shower 0.5Mpa(L/MIN)	14.8
Effluent 0.1Mpa(L/MIN)	2.8
Effluent 0.3Mpa(L/MIN)	7.7
Effluent 0.5Mpa(L/MIN)	10.8



Product sizes (cm)	126.5*53.7*10.7
Weight (kg)	10.7
Guarantee	10 years
Max Preassure (bar)	8
Min Preassure (bar)	1
Optimum preassure (bar)	3-4
Max. temperature	55 °C
Min temperature	0 °C

## CERTIFIES

That all our products, provided that they are used in normal conditions or installed in accordance with current standards, are guaranteed against any manufacturing defect for a period of five years, except for products purchased before January 1, 2020, which will have the mandatory coverage of 2 years from the date of invoice.

Requirements and exclusions

Failure to comply with the instructions for assembly, use and maintenance of our products on the packaging and in our catalogue and published on our website: [www.imexproducts.es](http://www.imexproducts.es), releases IMEX PRODUCTS, S.L. from any liability.

In any case, the acceptance of the defect by our technical department is necessary. In addition, transport costs will be charged only in the event that on IMEX PRODUCTS, S.L. technician determines the proper functioning of our products.

IMEX PRODUCTS, S.L. will decide to repair the product or replace it. It will be necessary to present the purchase invoice.

Assembly, maintenance or repairs carried out by non-specialists are excluded from the warranty.

Wearing parts such as hoses, handles, seals, filters, aerators, etc. are not covered by the warranty.

