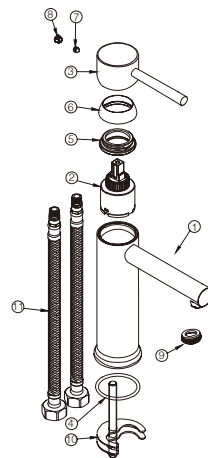


**PRODUCT
INFORMATION
SUMMARY**

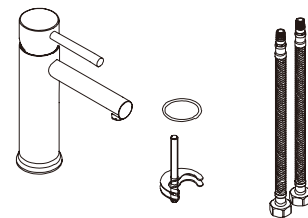


Ref.	EAN	Finish
BDK034-1	8435668005678	Acero S316

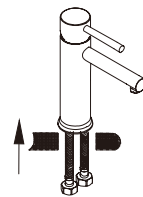
CODE	NAME	MATERIAL	REF
1	Faucet body	SUS 316	
2	Cartridge Ø26mm	Assembly	CRT091*
3	Handle	SUS 316	
4	O-ring	NBR	
5	Cap	SUS 316	
6	Cover plate	SUS 316	
7	Screw	SUS 304	
8	Color button	ABS	
9	Mm 16.5 Aerator	ABS	CRT016*
10	Pack	SUS 316	
11	Inlet hose	SUS 316	
12	Connecting pipe	Taq-peX-dn6-acb h3/8-m10x1112-500-r&b	SAT-HOSES7*

* CONSULTAR PARA ACABADOS DE COLOR

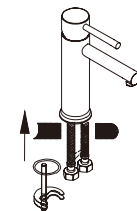
Installing instruction



Step 1. Check all spare parts ready



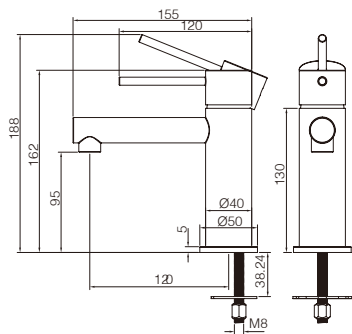
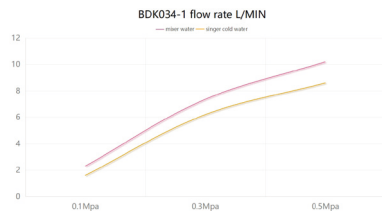
Step 2. Install inlet pipe to faucet body



Step 3. Install screw stick to faucet body

FLOW RATE

Detalles	
FLOW RATE REF	BDK034-1
mixer water 0.1Mpa(L/MIN)	2.3
mixer water 0.3Mpa(L/MIN)	7.36
mixer water 0.5Mpa(L/MIN)	10.2
singer cold water 0.1Mpa(L/MIN)	1.6
singer cold water 0.3Mpa(L/MIN)	6.2
singer cold water 0.5Mpa(L/MIN)	8.6



Product sizes (cm)	30*21*5.9
Weight (kg)	1.3
Guarantee	10 years
Max Preasure (bar)	5
Min Preasure (bar)	0.5
Optimum preasure (bar)	1-4 (Recommended 3)
Max. temperature	85°C
Min temperature	65°C

CERTIFIES

That all our products, provided that they are used in normal conditions or installed in accordance with current standards, are guaranteed against any manufacturing defect for a period of five years, except for products purchased before January 1, 2020, which will have the mand atory coverage of 2 years from the date of invoice.

Requirements and exclusions

Failure to comply with the instructions for assembly, use and maintenance of our products on the packaging and in our catalogue and published on our website: www.imexproducts.es, releases IMEX PRODUCTS, S.L. from any liability.

In any case, the acceptance of the defect by our technical depMOSCUment is necessary. In addition, transport costs will be charged only in the event that on IMEX PRODUCTS, S.L. technician determines the proper functioning of our products.

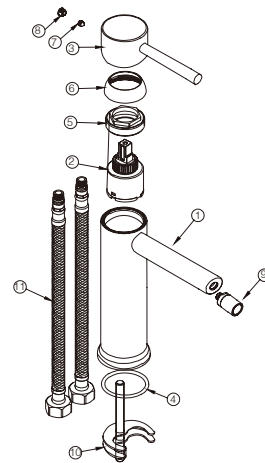
IMEX PRODUCTS, S.L. will decide to repair the product or replace it. It will be necessary to present the purchase invoice.

Assembly, maintenance or repairs carried out by non-specoalists re excluded from the warranty.

Wearing pMOSCUs such as hoses, handles, seals, filters, aerators, etc. are not covered by the warranty.



PRODUCT INFORMATION SUMMARY

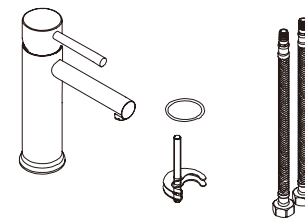


Ref.	EAN	Finish
BDK034-2	8435668005685	Acero S316

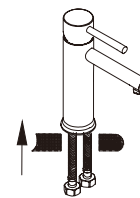
CODE	NAME	MATERIAL	REF
1	Faucet body	SUS 316	
2	Cartridge Ø26mm	Assembly	CRT091*
3	Handle	SUS 316	
4	O-ring	NBR	
5	Cap	SUS 316	
6	Cover plate	SUS 316	
7	Screw	SUS 304	
8	Color button	ABS	
9	Mm 16.5 Aerator	Assembly	SAT-AIRO55*
10	Pack	SUS 316	
11	Inlet hose	SUS 316	
12	Connecting pipe	Taq-plex-dn6-acb h3/8-m10x1112-500-r&b	SAT-HOSES7*

* CONSULTAR PARA ACABADOS DE COLOR

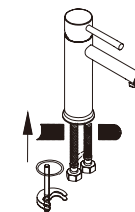
Installing instruction



Step 1. Check all spare parts ready



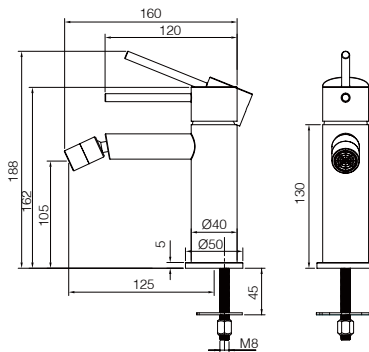
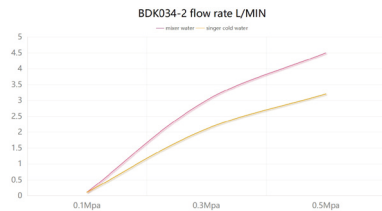
Step 2. Install inlet pipe to faucet body



Step 3. Install screw stick to faucet body

FLOW RATE

Detalles	
FLOW RATE REF	BDK034-2
mixer water 0.1Mpa(L/MIN)	0.3
mixer water 0.3Mpa(L/MIN)	3
mixer water 0.5Mpa(L/MIN)	4.5
singer cold water 0.1Mpa(L/MIN)	0.1
singer cold water 0.3Mpa(L/MIN)	2.1
singer cold water 0.5Mpa(L/MIN)	3.2



Product sizes (cm)	30*21*5.9
Weight (kg)	1.3
Guarantee	10 years
Max Preassure (bar)	5
Min Preassure (bar)	0.5
Optimum preassure (bar)	1-4 (Recommended 3)
Max. temperature	85°C
Min temperature	65°C

CERTIFIES

That all our products, provided that they are used in normal conditions or installed in accordance with current standards, are guaranteed against any manufacturing defect for a period of five years, except for products purchased before January 1, 2020, which will have the mand atory coverage of 2 years from the date of invoice.

Requirements and exclusions

Failure to comply with the instructions for assembly, use and maintenance of our products on the packaging and in our catalogue and published on our website: www.imexproducts.es, releases IMEX PRODUCTS, S.L. from any liability.

In any case, the acceptance of the defect by our technical depMOSCUment is necessary. In addition, transport costs will be charged only in the event that on IMEX PRODUCTS, S.L. technician determines the proper functioning of our products.

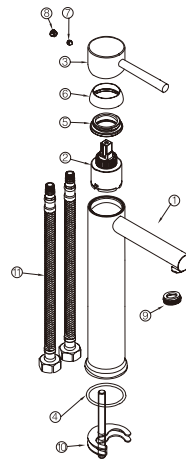
IMEX PRODUCTS, S.L. will decide to repair the product or replace it. It will be necessary to present the purchase invoice.

Assembly, maintenance or repairs carried out by non-specoalists re excluded from the warranty.

Wearing pMOSCUs such as hoses, handles, seals, filters, aerators, etc. are not covered by the warranty.



**PRODUCT
INFORMATION
SUMMARY**

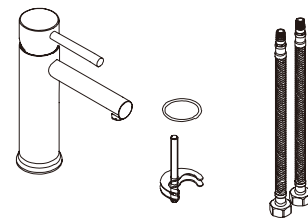


Ref.	EAN	Finish
BDK034-3	8435668005692	Acero S316

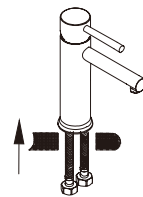
CODE	NAME	MATERIAL	REF
1	Faucet body	SUS 316	
2	Cartridge Ø36mm	Assembly	CRT011*
3	Handle	SUS 316	
4	O-ring	NBR	
5	Cap	SUS 316	
6	Cover plate	SUS 316	
7	MSX6 inner six corner set screws	SUS 304	
8	Color button	ABS	
9	MM 16.5 aerator	ABS	CRT016*
10	Pack	SUS 316	
11	Inlet hose	SUS 316	
12	Connecting pipe	Taq-plex-dn6-acb h3/8-m10x1112-500-r&b	SAT-HOSES7*

* CONSULTAR PARA ACABADOS DE COLOR

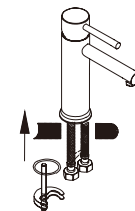
Installing instruction



Step 1. Check all spare parts ready



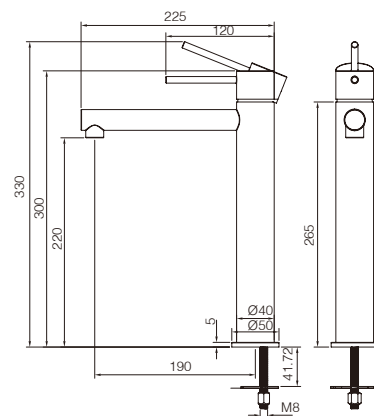
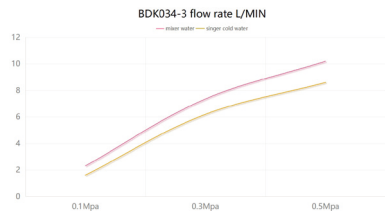
Step 2. Install inlet pipe to faucet body



Step 3. Install screw stick to faucet body

FLOW RATE

Detalles	
FLOW RATE REF	BDK034-3
mixer water 0.1Mpa(L/MIN)	2.3
mixer water 0.3Mpa(L/MIN)	7.36
mixer water 0.5Mpa(L/MIN)	10.2
singer cold water 0.1Mpa(L/MIN)	1.6
singer cold water 0.3Mpa(L/MIN)	6.2
singer cold water 0.5Mpa(L/MIN)	8.6



Product sizes (cm)	36*25*6
Weight (kg)	1.73
Guarantee	10 years
Max Preasure (bar)	5
Min Preasure (bar)	0.5
Optimum preasure (bar)	1-4 (Recommended 3)
Max. temperature	85°C
Min temperature	65°C

CERTIFIES

That all our products, provided that they are used in normal conditions or installed in accordance with current standards, are guaranteed against any manufacturing defect for a period of five years, except for products purchased before January 1, 2020, which will have the mand atory coverage of 2 years from the date of invoice.

Requirements and exclusions

Failure to comply with the instructions for assembly, use and maintenance of our products on the packaging and in our catalogue and published on our website: www.imexproducts.es, releases IMEX PRODUCTS, S.L. from any liability.

In any case, the acceptance of the defect by our technical depMOSCUment is necessary. In addition, transport costs will be charged only in the event that on IMEX PRODUCTS, S.L. technician determines the proper functioning of our products.

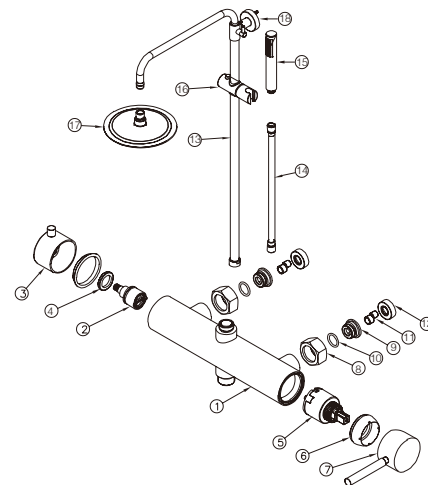
IMEX PRODUCTS, S.L. will decide to repair the product or replace it. It will be necessary to present the purchase invoice.

Assembly, maintenance or repairs carried out by non-specoalists re excluded from the warranty.

Wearing pMOSCUs such as hoses, handles, seals, filters, aerators, etc. are not covered by the warranty.



**PRODUCT
INFORMATION
SUMMARY**

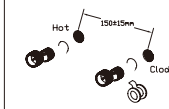


Ref.	EAN	Finish
BDK034	8435668005661	Acero S316

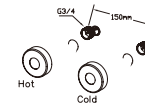
CODE	NAME	MATERIAL	REF	CODE	NAME	MATERIAL	REF
1	Faucet body	SUS 316		16	Shower seat	SUS 316	RR0014/AC*
2	Diverter cartridge	Assembly	CRT071*	17	Shower head	SUS 316	BDN002/AC*
3	Diverter handle	SUS 316		18	Fixed seat	SUS 316	
4	Cap	SUS 316					
5	Cartridge (Ø35mm)	Assembly	CRT001*				
6	Decorative cover plate	SUS 316					
7	Open handle	SUS 316					
8	Hexagon nut	SUS 316					
9	Water level screw	SUS 316					
10	O- ring	NBR					
11	Cabrio leg	SUS 316					
12	Cover plate	SUS 316					
13	Shower pipe	SUS 316	RR0011/AC*				
14	Shower hose	SUS 316	FLX005/AC*				
15	Shower hand	SUS 316	MDR015/AC*				

* CONSULTAR PARA ACABADOS DE COLOR

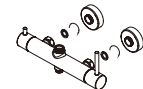
Installing instruction



Step 1. Connect curved leg with the inlet pipe inside the wall



Step 2. Connect decorative cover to curved leg



Step 3. Install shower faucet properly and connect to curved leg on the wall



Step 4. Install shower pipe according to the distance of fix part

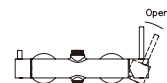
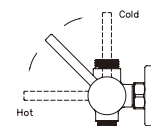


Step 5. Install shower hand and shower head to the set



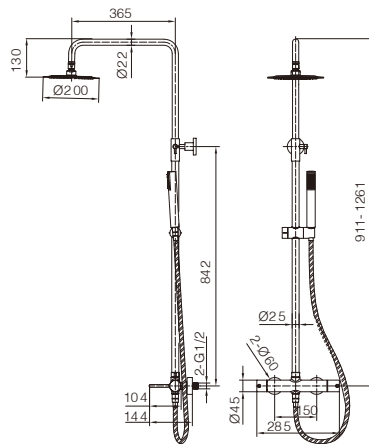
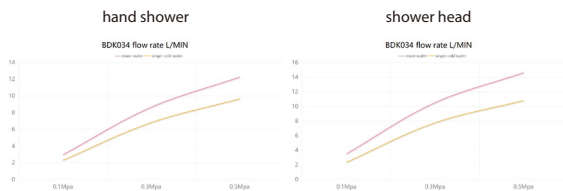
Step 6. Test function of shower set, clean the set

Usage function instruction



FLOW RATE

Detalles	
FLOW RATE REF	BDK034
hand shower mixer water 0.1Mpa(L/MIN)	2.96
hand shower mixer water 0.3Mpa(L/MIN)	8.65
hand shower mixer water 0.5Mpa(L/MIN)	12.25
hand shower singer cold water 0.1Mpa(L/MIN)	2.3
hand shower singer cold water 0.3Mpa(L/MIN)	6.8
hand shower singer cold water 0.5Mpa(L/MIN)	9.65
shower head mixer water 0.1Mpa(L/MIN)	3.5
shower head mixer water 0.3Mpa(L/MIN)	10.5
shower head mixer water 0.5Mpa(L/MIN)	14.6
shower head singer cold water 0.1Mpa(L/MIN)	2.34
shower head singer cold water 0.3Mpa(L/MIN)	7.74
shower head singer cold water 0.5Mpa(L/MIN)	10.8



Product sizes (cm)	42.5*14*90.5
Weight (kg)	5.35
Guarantee	10 years
Max Preassure (bar)	5
Min Preassure (bar)	0.5
Optimum preassure (bar)	1-4 (Recommended 3)
Max. temperature	85°C
Min temperature	65°C

CERTIFIES

That all our products, provided that they are used in normal conditions or installed in accordance with current standards, are guaranteed against any manufacturing defect for a period of five years, except for products purchased before January 1, 2020, which will have the mand atory coverage of 2 years from the date of invoice.

Requirements and exclusions

Failure to comply with the instructions for assembly, use and maintenance of our products on the packaging and in our catalogue and published on our website: www.imexproducts.es, releases IMEX PRODUCTS, S.L. from any liability.

In any case, the acceptance of the defect by our technical depMOSCUment is necessary. In addition, transport costs will be charged only in the event that on IMEX PRODUCTS, S.L. technician determines the proper functioning of our products.

IMEX PRODUCTS, S.L. will decide to repair the product or replace it. It will be necessary to present the purchase invoice.

Assembly, maintenance or repairs carried out by non-specoalists re excluded from the warranty.

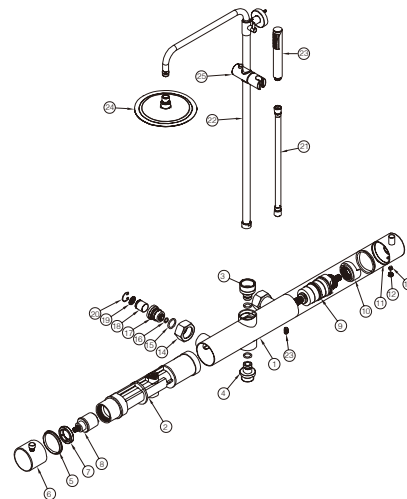
Wearing pMOSCUs such as hoses, handles, seals, filters, aerators, etc. are not covered by the warranty.



**PRODUCT
INFORMATION
SUMMARY**



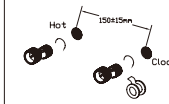
Ref.	EAN	Finish
BTK017/AC	8435668005708	Acero S316



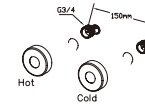
CODE	NAME	MATERIAL	REF	CODE	NAME	MATERIAL	REF
1	Body	SUS 316		16	O-ring	NBR	
2	Plastic faucet	ABS		17	Water level	SUS 316	
3	Connector	SUS 316		18	Check valve	ABS	
4	Connector	SUS 316		19	Strainer	SUS 316	
5	Wearing ring	Abs		20	Jump ring	SUS 304	
6	Diverter handle	SUS 316		21	Shower hose	SUS 316	FLX005/AC*
7	Cap	SUS 316		22	Shower pipe	SUS 316	RR0011/AC*
8	Diverter cartridge	Assembly	CRT089*	23	Shower hand	SUS 316	MDR013/AC*
9	Cartridge Ø35mm	Assembly	CRT012*	24	Shower head	SUS 316	RDN001/AC*
10	Ring	SUS 316		25	Shower seat	SUS 316	RR0014/AC*
11	Open handle	NBR					
12	Color button	SUS 316					
13	Screw	SUS 316					
14	Hexagon nut	SUS 316					
15	O-ring	NBR					

* CONSULTAR PARA ACABADOS DE COLOR

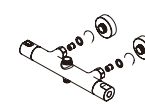
Installing instruction



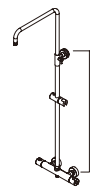
Step 1. Connect curved leg with the inlet pipe inside the wall



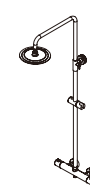
Step 2. Connect decorate cover to curved leg



Step 3. Install shower faucet properly, and connect to curved leg on the wall



Step 4. Install shower pipe according to the distance of fix part

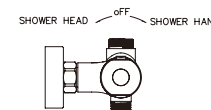
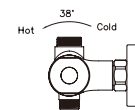


Step 5. Install shower hand and shower head to the set



Step 6. Test function of shower set, clean the set

Usage function instruction

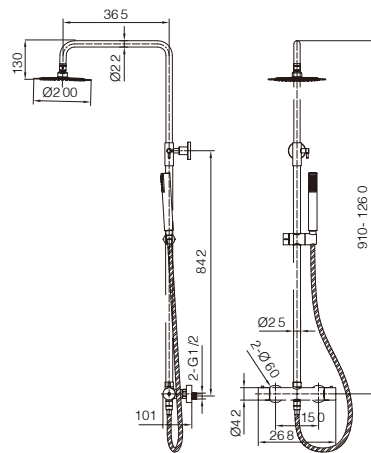
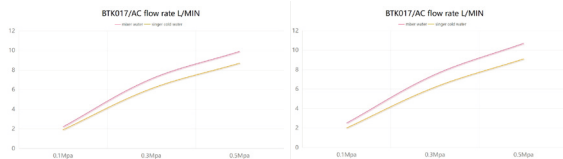


FLOW RATE

Detalles	
FLOW RATE REF	BTK017/AC
hand shower mixer water 0.1Mpa(L/MIN)	2.2
hand shower mixer water 0.3Mpa(L/MIN)	7.1
hand shower mixer water 0.5Mpa(L/MIN)	9.9
hand shower singer cold water 0.1Mpa(L/MIN)	1.9
hand shower singer cold water 0.3Mpa(L/MIN)	6.1
hand shower singer cold water 0.5Mpa(L/MIN)	8.7
shower head mixer water 0.1Mpa(L/MIN)	2.5
shower head mixer water 0.3Mpa(L/MIN)	7.5
shower head mixer water 0.5Mpa(L/MIN)	10.7
shower head singer cold water 0.1Mpa(L/MIN)	2
shower head singer cold water 0.3Mpa(L/MIN)	6.2
shower head singer cold water 0.5Mpa(L/MIN)	9.1

hand shower

shower head



Product sizes (cm)	42.5*14*90.5
Weight (kg)	5.12
Guarantee	10 years
Max Preassure (bar)	5
Min Preassure (bar)	0.5
Optimum preassure (bar)	1-4 (Recommended 3)
Max. temperature	85°C
Min temperature	65°C

CERTIFIES

That all our products, provided that they are used in normal conditions or installed in accordance with current standards, are guaranteed against any manufacturing defect for a period of five years, except for products purchased before January 1, 2020, which will have the mand atory coverage of 2 years from the date of invoice.

Requirements and exclusions

Failure to comply with the instructions for assembly, use and maintenance of our products on the packaging and in our catalogue and published on our website: www.imexproducts.es, releases IMEX PRODUCTS, S.L. from any liability.

In any case, the acceptance of the defect by our technical depMOSCUment is necessary. In addition, transport costs will be charged only in the event that on IMEX PRODUCTS, S.L. technician determines the proper functioning of our products.

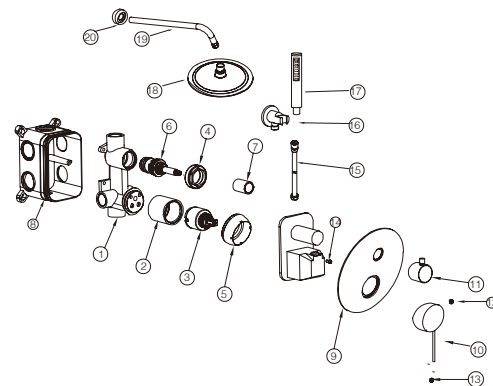
IMEX PRODUCTS, S.L. will decide to repair the product or replace it. It will be necessary to present the purchase invoice.

Assembly, maintenance or repairs carried out by non-specoalists re excluded from the warranty.

Wearing pMOSCUs such as hoses, handles, seals, filters, aerators, etc. are not covered by the warranty.



PRODUCT INFORMATION SUMMARY

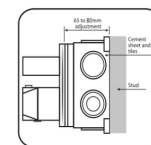


Ref.	EAN	Finish
GPK034	8435668004497	Acero S316

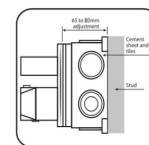
CODE	NAME	MATERIAL	REF
1	Faucet body	SUS 316	
2	Cartridge cover	SUS 316	
3	Cartridge Ø35mm	Assembly	CRT001*
4	Cap	SUS 316	
5	Decorative cover plate	SUS 316	
6	Diverter cartridge	Assembly	CRT089*
7	Diverter cartridge cover	SUS 316	
8	Concealed box	ABS	
9	Cover plate	SUS 316	
10	Handle	SUS 316	
11	Diverter handle	SUS 316	
12	Color button	ABS	
13	Screw	SUS 304	
14	Screw	SUS 304	
15	Shower hose	SUS 316	FLX005/AC*
16	Shower seat	SUS 316	SFD002/AC*
17	Shower hand	SUS 316	MDR015/AC*
18	Shower head	SUS 316	RDN002/AC*
19	Wall pipe	SUS 316	BPR001/AC*
20	Cover plate of wall pipe	SUS 316	

* CONSULTAR PARA ACABADOS DE COLOR

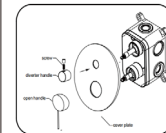
Installing instruction



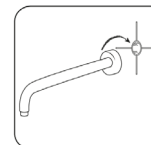
Step 1. Connect curved leg with the inlet pipe inside the wall



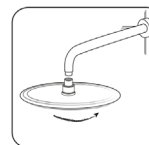
Step 2. Connect decorative cover to curved leg



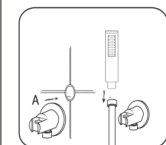
Step 3. Install shower faucet properly and connect to curved leg on the wall



Step 4. Install shower pipe according to the distance of fix part



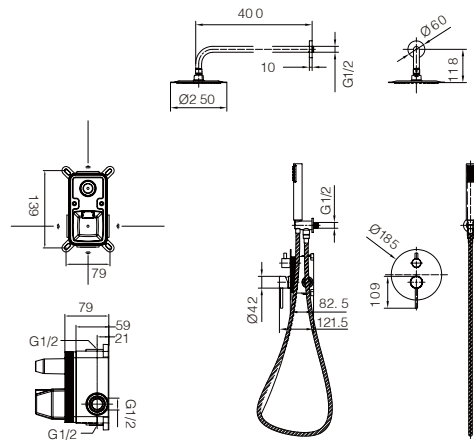
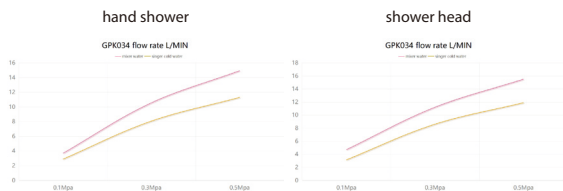
Step 5. Install shower hand and shower head to the set



Step 6. Test function of shower set, clean the set

FLOW RATE

Detailles	
FLOW RATE REF	GPK034
hand shower mixer water 0.1Mpa(L/MIN)	3.7
hand shower mixer water 0.3Mpa(L/MIN)	10.56
hand shower mixer water 0.5Mpa(L/MIN)	14.93
hand shower singer cold water 0.1Mpa(L/MIN)	2.9
hand shower singer cold water 0.3Mpa(L/MIN)	8.07
hand shower singer cold water 0.5Mpa(L/MIN)	11.3
shower head mixer water 0.1Mpa(L/MIN)	4.27
shower head mixer water 0.3Mpa(L/MIN)	11.2
shower head mixer water 0.5Mpa(L/MIN)	15.5
shower head singer cold water 0.1Mpa(L/MIN)	3.14
shower head singer cold water 0.3Mpa(L/MIN)	8.6
shower head singer cold water 0.5Mpa(L/MIN)	11.9



Product sizes (cm)	43*30*14
Weight (kg)	4.29
Guarantee	10 years
Max Preassure (bar)	5
Min Preassure (bar)	0.5
Optimum preassure (bar)	1-4 (Recommended 3)
Max. temperature	85°C
Min temperature	65°C

CERTIFIES

That all our products, provided that they are used in normal conditions or installed in accordance with current standards, are guaranteed against any manufacturing defect for a period of five years, except for products purchased before January 1, 2020, which will have the mand atory coverage of 2 years from the date of invoice.

Requirements and exclusions

Failure to comply with the instructions for assembly, use and maintenance of our products on the packaging and in our catalogue and published on our website: www.imexproducts.es, releases IMEX PRODUCTS, S.L. from any liability.

In any case, the acceptance of the defect by our technical depMOSCUment is necessary. In addition, transport costs will be charged only in the event that on IMEX PRODUCTS, S.L. technician determines the proper functioning of our products.

IMEX PRODUCTS, S.L. will decide to repair the product or replace it. It will be necessary to present the purchase invoice.

Assembly, maintenance or repairs carried out by non-specoalists re excluded from the warranty.

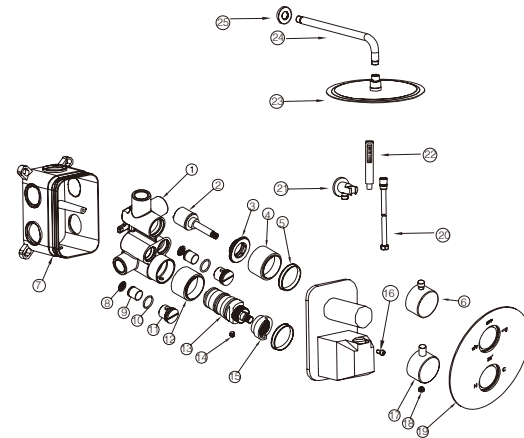
Wearing pMOSCUs such as hoses, handles, seals, filters, aerators, etc. are not covered by the warranty.



PRODUCT INFORMATION SUMMARY



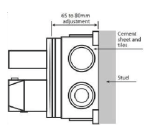

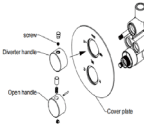
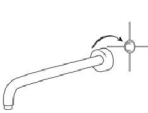

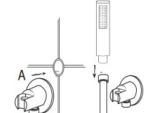
Ref.	EAN	Finish
GTK034	8435668003988	Acero S316



CODE	NAME	MATERIAL	REF	CODE	NAME	MATERIAL	REF
1	Faucet body	SUS316		20	Shower hose	SUS 316	FLX005/AC*
2	Diverter cartridge	Assembly	CRT086*	21	Shower seat	SUS 316	SFD002/AC*
3	cap	SUS316		22	Shower hand	SUS 316	MDR015/AC*
4	Cartridge cover	SUS316		23	Shower head	SUS 316	RDN002/AC*
5	Wearing ring	ABS		24	Wall pipe	SUS 316	BPR001/AC*
6	Diverter handle	SUS316		25	Cover plate	SUS 316	
7	Concealed box	ABS					
8	Strainer	SUS316					
9	Check valve	ABS					
10	Flat gasket	NBR					
11	Connictor	SUS316					
12	Cartridge cover	SUS316					
13	Cartridge Ø35mm	Assembly	CRT012*				
14	Screw	SUS304					
15	Ring	ABS					
16	Screw	SUS304					
17	Open handle	SUS316					
18	Color button	ABS					
19	Cover plate	SUS316					

* CONSULTAR PARA ACABADOS DE COLOR

Installing instruction

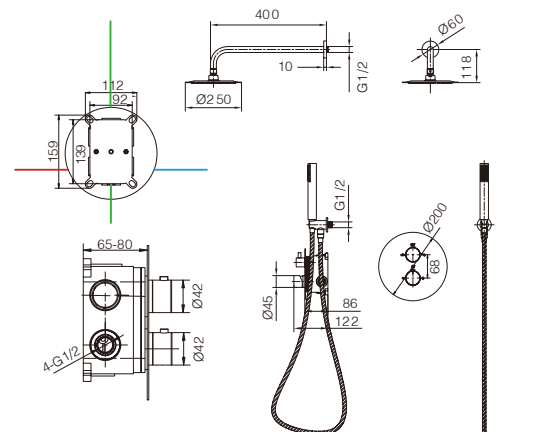
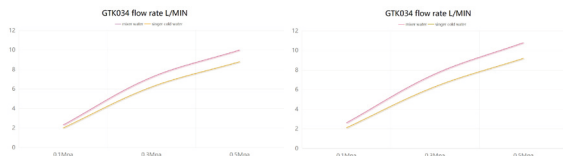
 <p>Step 1. Connect curved leg with the inlet pipe inside the wall</p>	 <p>Step 2. Connect decorative cover to curved leg</p>	 <p>Step 3. Install shower faucet properly and connect to curved leg on the wall</p>
 <p>Step 4. Install shower pipe according to the distance of fix part</p>	 <p>Step 5. Install shower hand and shower head to the set</p>	 <p>Step 6. Test function of shower set, clean the set</p>

FLOW RATE

Detalles	
FLOW RATE REF	GTK034
hand shower mixer water 0.1Mpa(L/MIN)	2.3
hand shower mixer water 0.3Mpa(L/MIN)	7.2
hand shower mixer water 0.5Mpa(L/MIN)	10
hand shower singer cold water 0.1Mpa(L/MIN)	2
hand shower singer cold water 0.3Mpa(L/MIN)	6.2
hand shower singer cold water 0.5Mpa(L/MIN)	8.8
shower head mixer water 0.1Mpa(L/MIN)	2.6
shower head mixer water 0.3Mpa(L/MIN)	7.6
shower head mixer water 0.5Mpa(L/MIN)	10.8
shower head singer cold water 0.1Mpa(L/MIN)	2.1
shower head singer cold water 0.3Mpa(L/MIN)	6.3
shower head singer cold water 0.5Mpa(L/MIN)	9.2

hand shower

shower head



Product sizes (cm)	43*30*14
Weight (kg)	4.5
Guarantee	10 years
Max Preassure (bar)	5
Min Preassure (bar)	0.5
Optimum preassure (bar)	1-4 (Recommended 3)
Max. temperature	85°C
Min temperature	65°C

CERTIFIES

That all our products, provided that they are used in normal conditions or installed in accordance with current standards, are guaranteed against any manufacturing defect for a period of five years, except for products purchased before January 1, 2020, which will have the mand atory coverage of 2 years from the date of invoice.

Requirements and exclusions

Failure to comply with the instructions for assembly, use and maintenance of our products on the packaging and in our catalogue and published on our website: www.imexproducts.es, releases IMEX PRODUCTS, S.L. from any liability.

In any case, the acceptance of the defect by our technical depMOSCUment is necessary. In addition, transport costs will be charged only in the event that on IMEX PRODUCTS, S.L. technician determines the proper functioning of our products.

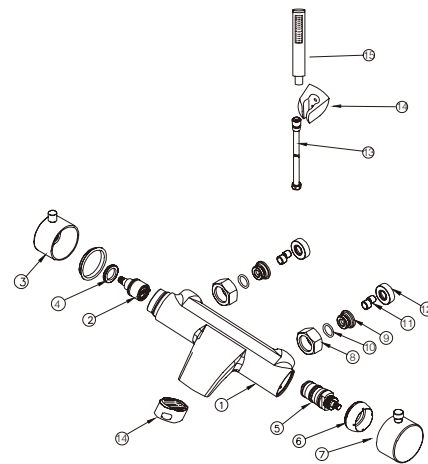
IMEX PRODUCTS, S.L. will decide to repair the product or replace it. It will be necessary to present the purchase invoice.

Assembly, maintenance or repairs carried out by non-specoalists re excluded from the warranty.

Wearing pMOSCUs such as hoses, handles, seals, filters, aerators, etc. are not covered by the warranty.



**PRODUCT
INFORMATION
SUMMARY**

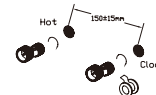


Ref.	EAN	Finish
BDK034-4	8435668005708	Acero S316

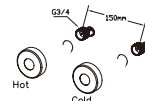
CODE	NAME	MATERIAL	REF
1	Faucet body	SUS 316	
2	Diverter cartridge	Assembly	
3	Diverter handle	SUS 316	
4	Cap	SUS 316	
5	Cartridge Ø35mm	Assembly	CR1012*
6	Decorative cover plate	SUS 316	
7	Open handle	SUS 316	
8	Hexagon nut	SUS 316	
9	Water level screw	SUS 316	
10	O-ring	NBR	
11	Cabrio leg	SUS 316	
12	Cover plate	SUS 316	
13	Shower hose	SUS 316	FLX005/AC*
14	Shower seat	SUS 316	SMD007/AC*
15	Shower hand	SUS 316	MDR015/AC*

* CONSULTAR PARA ACABADOS DE COLOR

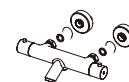
Installing instruction



Step 1. Connect curved leg with the inlet pipe inside the wall



Step 2. Connect decorative cover to curved leg

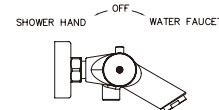
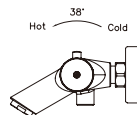


Step 3. Install shower faucet properly, and connect to curved leg on the wall



Step 4. Test function of shower set, clean the set

Usage function instruction

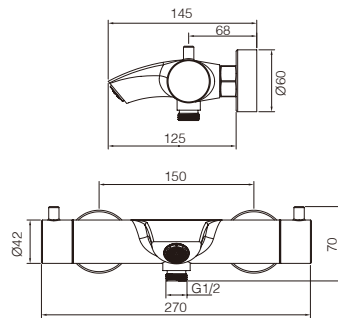
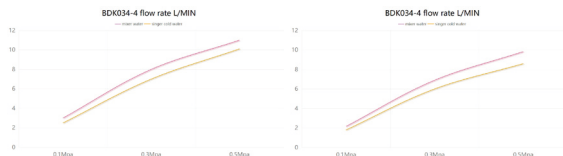


FLOW RATE

Detailles	
FLOW RATE REF	BDK034-4
water outlet mixer water 0.1Mpa(L/MIN)	3
water outlet mixer water 0.3Mpa(L/MIN)	8
water outlet mixer water 0.5Mpa(L/MIN)	11
water outlet singer cold water 0.1Mpa(L/MIN)	2.5
water outlet singer cold water 0.3Mpa(L/MIN)	7
water outlet singer cold water 0.5Mpa(L/MIN)	10.1
hand shower mixer water 0.1Mpa(L/MIN)	2.16
hand shower mixer water 0.3Mpa(L/MIN)	6.9
hand shower mixer water 0.5Mpa(L/MIN)	9.83
hand shower singer cold water 0.1Mpa(L/MIN)	1.8
hand shower singer cold water 0.3Mpa(L/MIN)	6
hand shower singer cold water 0.5Mpa(L/MIN)	8.6

water outlet

hand shower



Product sizes (cm)	32.5*20.5*14.2
Weight (kg)	2.86
Guarantee	10 years
Max Preassure (bar)	5
Min Preassure (bar)	0.5
Optimum preassure (bar)	1-4 (Recommended 3)
Max. temperature	85°C
Min temperature	65°C

CERTIFIES

That all our products, provided that they are used in normal conditions or installed in accordance with current standards, are guaranteed against any manufacturing defect for a period of five years, except for products purchased before January 1, 2020, which will have the mand atory coverage of 2 years from the date of invoice.

Requirements and exclusions

Failure to comply with the instructions for assembly, use and maintenance of our products on the packaging and in our catalogue and published on our website: www.imexproducts.es, releases IMEX PRODUCTS, S.L. from any liability.

In any case, the acceptance of the defect by our technical depMOSCUment is necessary. In addition, transport costs will be charged only in the event that on IMEX PRODUCTS, S.L. technician determines the proper functioning of our products.

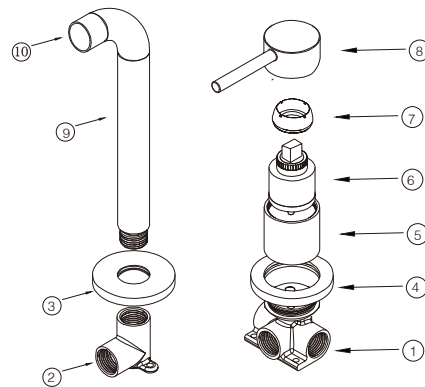
IMEX PRODUCTS, S.L. will decide to repair the product or replace it. It will be necessary to present the purchase invoice.

Assembly, maintenance or repairs carried out by non-specoalists re excluded from the warranty.

Wearing pMOSCUs such as hoses, handles, seals, filters, aerators, etc. are not covered by the warranty.



**PRODUCT
INFORMATION
SUMMARY**

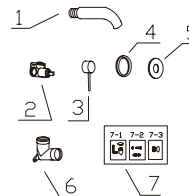


Ref.	EAN	Finish
GLT023/AC	8435668004664	Acero S316

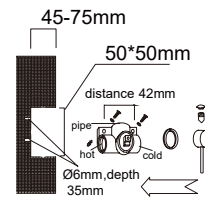
CODE	NAME	MATERIAL	REF
1	Faucet body	SUS 316	
2	Faucet body	SUS 316	
3	Cover plate	SUS 316	
4	Cover plate	SUS 316	
5	Cartridge cover	SUS 316	
6	Cartridge Ø35mm	Assembly	CRT006*
7	Cap	SUS 316	
8	Handle	SUS 316	
9	Pipe	SUS 316	
10	Perlator M18,5x1	ABS	SAT-AIR018*

* CONSULTAR PARA ACABADOS DE COLOR

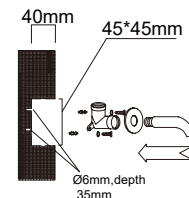
Installing instruction



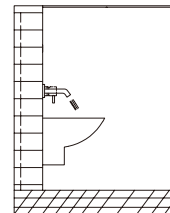
- Step 1. Check all spare parts
- 1-pipe
 - 2-body to handle
 - 3-handle
 - 4-cover plate of handle
 - 5-cover plate of pipe
 - 6-body to pipe
 - 7-spare part bag



- Step 2. Dig hole for body to handle
- 2.1-Hole size 50*50mm, depth from 45 to 75mm
 - 2.2-Dig two 6mm holes with 54mm distance
 - 2.3- Assemble spare parts as picture shows



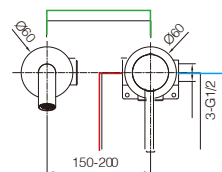
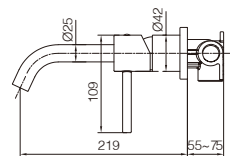
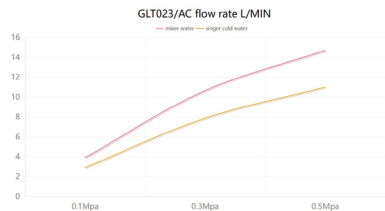
- Step 3. Dig hole for body to pipe
- 3.1-Hole size 45*45mm, depth 40mm
 - 3.2-Dig two 6mm holes with 35mm distance
 - 3.3-Assemble spare parts as picture shows



- Step 4. Connect inside pipe and test for leak checking

FLOW RATE

Detalles	
FLOW RATE REF	GLT023/AC
mixer water 0.1Mpa(L/MIN)	3.9
mixer water 0.3Mpa(L/MIN)	10.65
mixer water 0.5Mpa(L/MIN)	14.7
singer cold water 0.1Mpa(L/MIN)	2.9
singer cold water 0.3Mpa(L/MIN)	7.87
singer cold water 0.5Mpa(L/MIN)	11



Product sizes (cm)	29.5*17.5*7.2
Weight (kg)	1.16
Guarantee	10 years
Max Preassure (bar)	5
Min Preassure (bar)	0.5
Optimum preassure (bar)	1-4 (Recommended 3)
Max. temperature	85°C
Min temperature	65°C

CERTIFIES

That all our products, provided that they are used in normal conditions or installed in accordance with current standards, are guaranteed against any manufacturing defect for a period of five years, except for products purchased before January 1, 2020, which will have the mand atory coverage of 2 years from the date of invoice.

Requirements and exclusions

Failure to comply with the instructions for assembly, use and maintenance of our products on the packaging and in our catalogue and published on our website: www.imexproducts.es, releases IMEX PRODUCTS, S.L. from any liability.

In any case, the acceptance of the defect by our technical depMOSCUment is necessary. In addition, transport costs will be charged only in the event that on IMEX PRODUCTS, S.L. technician determines the proper functioning of our products.

IMEX PRODUCTS, S.L. will decide to repair the product or replace it. It will be necessary to present the purchase invoice.

Assembly, maintenance or repairs carried out by non-specoalists re excluded from the warranty.

Wearing pMOSCUs such as hoses, handles, seals, filters, aerators, etc. are not covered by the warranty.

