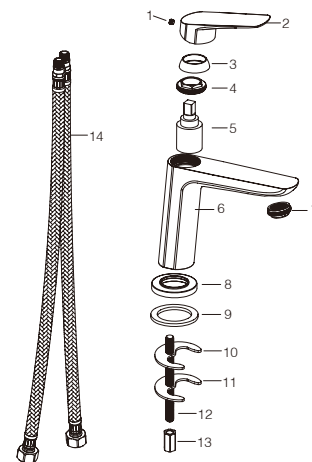


**PRODUCT
INFORMATION
SUMMARY**



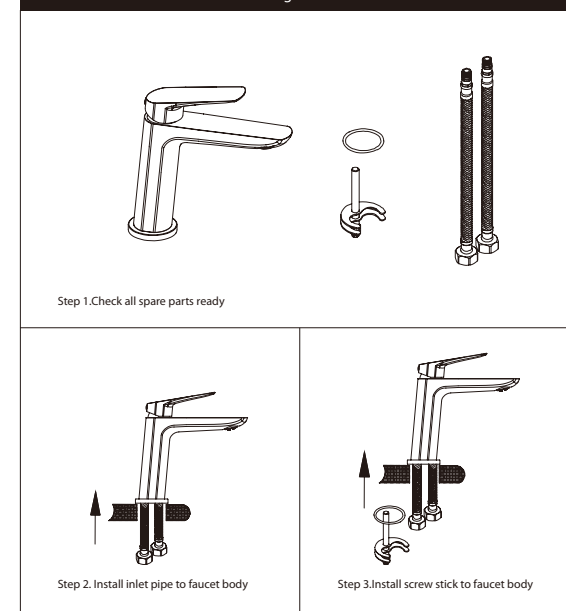
Ref.	EAN	Finish
BDZ044-1	8435668002295	Chrome
BDZ044-1NG	8435668011945	Matte black



CODE	NAME	MATERIAL	REF
1	Screw	SUS 304	
2	Handle	Zinc	
3	Decorative cup	ABS	
4	Nut	Brass	
5	Cartridge	ASSY	CRT007*
6	Body	Brass	
7	Aerator	M24x1mm	SAT-AIR019*
8	Base	Brass	
9	Rubber ring	NBR	
10	Rubber washer	NBR	
11	Metal washer	SUS 304	
12	M8-Screw	SUS 304	
13	Nut	Brass	
14	Connecting Pipe	TAQ-PEX-DN6-ACB H3/8-M10X1 L12-500-R&B	SAT-HOSES7*

* CONSULTAR PARA ACABADOS DE COLOR

Installing instruction



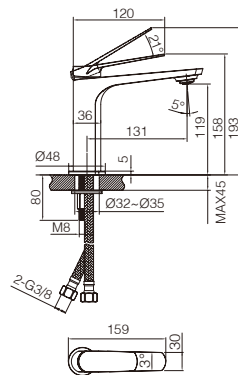
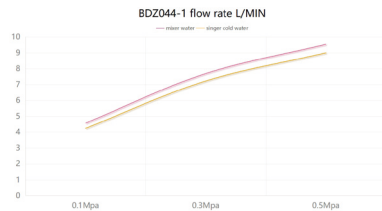
Step 1. Check all spare parts ready

Step 2. Install inlet pipe to faucet body

Step 3. Install screw stick to faucet body

FLOW RATE

Detalles	
FLOW RATE REF	BDZ044-1
mixer water 0.1Mpa(L/MIN)	4.56
mixer water 0.3Mpa(L/MIN)	7.69
mixer water 0.5Mpa(L/MIN)	9.54
singer cold water 0.1Mpa(L/MIN)	4.23
singer cold water 0.3Mpa(L/MIN)	7.22
singer cold water 0.5Mpa(L/MIN)	9



Product sizes (cm)	30*21*5.9
Weight (kg)	1
Guarantee	5 years
Max Preassure (bar)	5
Min Preassure (bar)	0.5
Optimum preassure (bar)	1-4 (Recommended 3)
Max. temperature	85°C
Min temperature	65°C

CERTIFIES

That all our products, provided that they are used in normal conditions or installed in accordance with current standards, are guaranteed against any manufacturing defect for a period of five years, except for products purchased before January 1, 2020, which will have the mand atory coverage of 2 years from the date of invoice.

Requirements and exclusions

Failure to comply with the instructions for assembly, use and maintenance of our products on the packaging and in our catalogue and published on our website: www.imexproducts.es, releases IMEX PRODUCTS, S.L. from any liability.

In any case, the acceptance of the defect by our technical department is necessary. In addition, transport costs will be charged only in the event that on IMEX PRODUCTS, S.L. technician determines the proper functioning of our products.

IMEX PRODUCTS, S.L. will decide to repair the product or replace it. It will be necessary to present the purchase invoice.

Assembly, maintenance or repairs carried out by non-specoalists re excluded from the warranty.

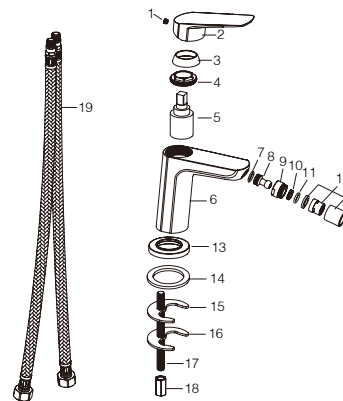
Wearing parts such as hoses, handles, seals, filters, aerators, etc. are not covered by the warranty.



**PRODUCT
INFORMATION
SUMMARY**



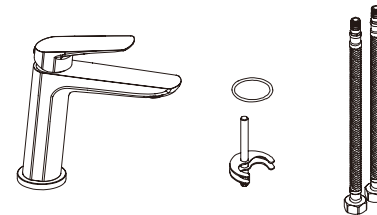
Ref.	EAN	Finish
BDZ044-2	8435668002301	Chrome
BDZ044-2NG	8435668011990	Matte black



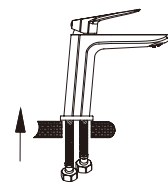
CODE	NAME	MATERIAL	REF
1	Screw	SUS 304	
2	Handle	Zinc	
3	Decorative cup	ABS	
4	Nut	Brass	
5	Cartridge	26mm up	CRT007*
6	Body	Brass	
7	O-ring	NBR	
8	Connectre	Brass	
9	Connectre	Brass	
10	Washer	POM	
11	O-ring	NBR	
12	Aerator	ABS	SAT-AIR022*
13	Base	Brass	
14	Rubber ring	NBR	
15	Rubber washer	NBR	
16	Metal washer	SUS 304	
17	M8-Screw	SUS 304	
18	Nut	Brass	
19	Connecting Pipe	TAQ-PEX-DNG-ACB H3/8-M10X1 L12-500-R&B	SAT-HOSES7*

* CONSULTAR PARA ACABADOS DE COLOR

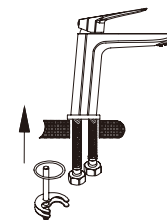
Installing instruction



Step 1. Check all spare parts ready



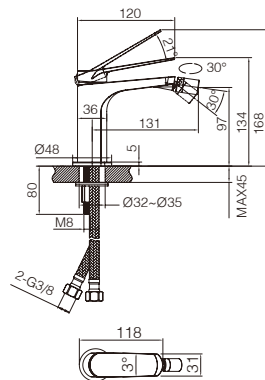
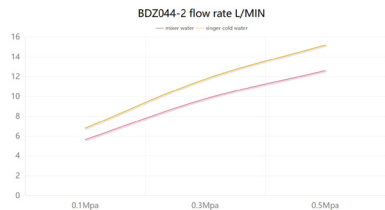
Step 2. Install inlet pipe to faucet body



Step 3. Install screw stick to faucet body

FLOW RATE

Detalles	
FLOW RATE REF	BDZ044-2
mixer water 0.1Mpa(L/MIN)	5.64
mixer water 0.3Mpa(L/MIN)	9.75
mixer water 0.5Mpa(L/MIN)	12.6
singer cold water 0.1Mpa(L/MIN)	6.79
singer cold water 0.3Mpa(L/MIN)	11.74
singer cold water 0.5Mpa(L/MIN)	15.19



Product sizes (cm)	26.7*18.1*5.9
Weight (kg)	0.87
Guarantee	5 years
Max Preassure (bar)	5
Min Preassure (bar)	0.5
Optimum preassure (bar)	1-4 (Recommended 3)
Max. temperature	85°C
Min temperature	65°C

CERTIFIES

That all our products, provided that they are used in normal conditions or installed in accordance with current standards, are guaranteed against any manufacturing defect for a period of five years, except for products purchased before January 1, 2020, which will have the mand atory coverage of 2 years from the date of invoice.

Requirements and exclusions

Failure to comply with the instructions for assembly, use and maintenance of our products on the packaging and in our catalogue and published on our website: www.imexproducts.es, releases IMEX PRODUCTS, S.L. from any liability.

In any case, the acceptance of the defect by our technical department is necessary. In addition, transport costs will be charged only in the event that on IMEX PRODUCTS, S.L. technician determines the proper functioning of our products.

IMEX PRODUCTS, S.L. will decide to repair the product or replace it. It will be necessary to present the purchase invoice.

Assembly, maintenance or repairs carried out by non-specoalists re excluded from the warranty.

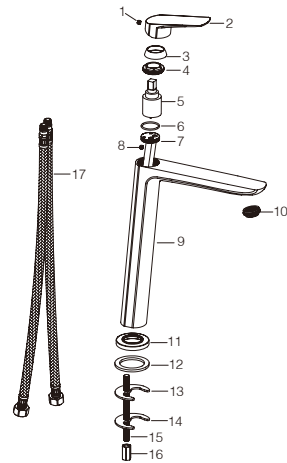
Wearing parts such as hoses, handles, seals, filters, aerators, etc. are not covered by the warranty.



**PRODUCT
INFORMATION
SUMMARY**



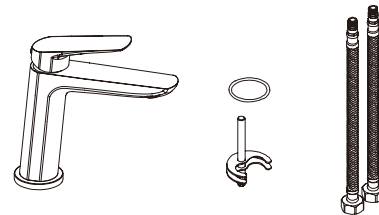
Ref.	EAN	Finish
BDZ044-3	8435668002318	Chrome
BDZ044-3NG	8435668011938	Matte black



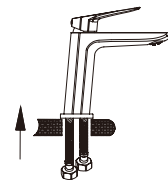
CODE	NAME	MATERIAL	REF
1	Screw	SUS 304	
2	Handle	SUS 304	
3	Decorative cup	ABS	
4	Nut	Brass	
5	Cartridge	26mm up	CRT007*
6	O-ring	NBR	
7	Cartridge base	Brass	
8	Screw	SUS304	
9	Body	Brass	
10	Aerator	M24x1mm	SAT-AIR019*
11	Base	Brass	
12	Rubber ring	NBR	
13	Rubber washer	NBR	
14	Metal washer	SUS 304	
15	M8-Screw	SUS 304	
16	Nut	Brass	
17	Connecting Pipe	TAQ-PEX-DN6-ACB H3/8-M10X1 L12-500-R&B	SAT-HOSE57*

* CONSULTAR PARA ACABADOS DE COLOR

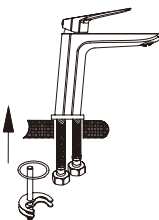
Installing instruction



Step 1. Check all spare parts ready



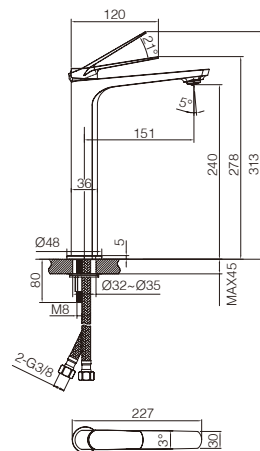
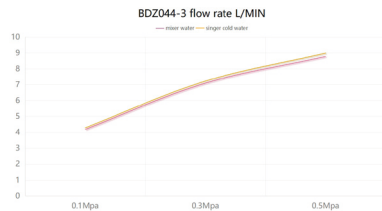
Step 2. Install inlet pipe to faucet body



Step 3. Install screw stick to faucet body

FLOW RATE

Detalles	
FLOW RATE REF	BDZ044-3
mixer water 0.1Mpa(L/MIN)	4.18
mixer water 0.3Mpa(L/MIN)	7.09
mixer water 0.5Mpa(L/MIN)	8.77
singer cold water 0.1Mpa(L/MIN)	4.28
singer cold water 0.3Mpa(L/MIN)	7.22
singer cold water 0.5Mpa(L/MIN)	8.98



Product sizes (cm)	39*21*5.9
Weight (kg)	1.55
Guarantee	5 years
Max Preassure (bar)	5
Min Preassure (bar)	0.5
Optimum preassure (bar)	1-4 (Recommended 3)
Max. temperature	85°C
Min temperature	65°C

CERTIFIES

That all our products, provided that they are used in normal conditions or installed in accordance with current standards, are guaranteed against any manufacturing defect for a period of five years, except for products purchased before January 1, 2020, which will have the mand atory coverage of 2 years from the date of invoice.

Requirements and exclusions

Failure to comply with the instructions for assembly, use and maintenance of our products on the packaging and in our catalogue and published on our website: www.imexproducts.es, releases IMEX PRODUCTS, S.L. from any liability.

In any case, the acceptance of the defect by our technical department is necessary. In addition, transport costs will be charged only in the event that on IMEX PRODUCTS, S.L. technician determines the proper functioning of our products.

IMEX PRODUCTS, S.L. will decide to repair the product or replace it. It will be necessary to present the purchase invoice.

Assembly, maintenance or repairs carried out by non-specoalists re excluded from the warranty.

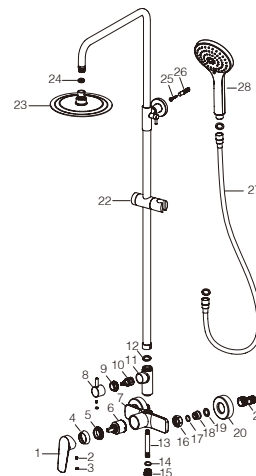
Wearing parts such as hoses, handles, seals, filters, aerators, etc. are not covered by the warranty.



PRODUCT INFORMATION SUMMARY



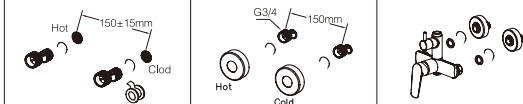
Ref.	EAN	Finish
BDZ044	8435668011921	Chrome
BDZ044/NG	8435668012010	Matte black



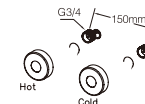
CODE	NAME	MATERIAL	REF	CODE	NAME	MATERIAL	REF
1	Handle	Zinc		16	Nut	SUS 304	
2	Screw	SUS 304		17	O-ring	NBR	
3	Button	ABS		18	Valve	SUS 304	
4	Decorative cap	ABS		19	Rubber washer	NBR	
5	Nut	Brass		20	Cover	SUS 304	
6	Cartridge	35mm	CRT006*	21	Cabrio leg	SUS 304	
7	Body	Brass		22	Pipe	SUS 304	RR0014*
8	Handle	Zinc		23	Shower head	SUS 304	RDN001*
9	Nut	Brass		24	Rubber washer	NBR	
10	Cartridge	22mm		25	Screw	SUS 304	
11	Body	Brass		26	Expansion bolt	PA	
12	Rubber washer	NBR		27	Hose	SUS 304	FLX001*
13	Connecting pipe	Brass		28	Shower hand	ABS	MDD010*
14	O-ring	NBR					
15	Connect	Brass					

* CONSULTAR PARA ACABADOS DE COLOR

Installing instruction



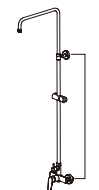
Step 1. Connect curved leg with the inlet pipe inside the wall



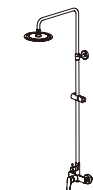
Step 2. Connect decorative cover to curved leg



Step 3. Install shower faucet properly and connect to curved leg on the wall



Step 4. Install shower pipe according to the distance of fix part

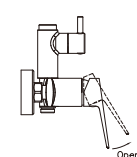
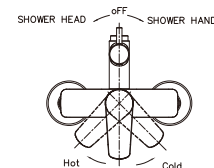


Step 5. Install shower hand and shower head to the set



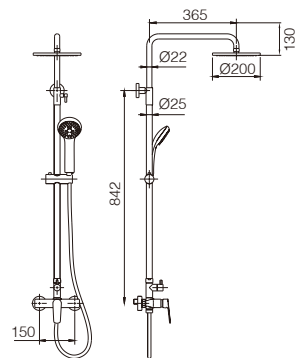
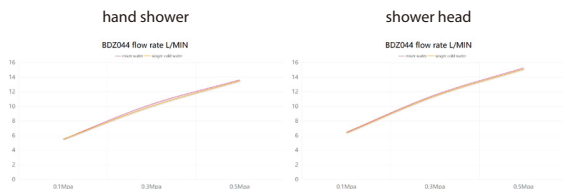
Step 6. Test function of shower set, clean the set

Usage function instruction



FLOW RATE

Details	
FLOW RATE REF	BDZ044
hand shower mixer water 0.1Mpa(L/MIN)	5.51
hand shower mixer water 0.3Mpa(L/MIN)	10.28
hand shower mixer water 0.5Mpa(L/MIN)	13.62
hand shower singer cold water 0.1Mpa(L/MIN)	5.53
hand shower singer cold water 0.3Mpa(L/MIN)	10
hand shower singer cold water 0.5Mpa(L/MIN)	13.5
shower head mixer water 0.1Mpa(L/MIN)	6.45
shower head mixer water 0.3Mpa(L/MIN)	11.56
shower head mixer water 0.5Mpa(L/MIN)	15.26
shower head singer cold water 0.1Mpa(L/MIN)	6.39
shower head singer cold water 0.3Mpa(L/MIN)	11.42
shower head singer cold water 0.5Mpa(L/MIN)	15.1



Product sizes (cm)	42.5*13.3*90
Weight (kg)	5
Guarantee	5 years
Max Preassure (bar)	5
Min Preassure (bar)	0.5
Optimum preassure (bar)	1-4 (Recommended 3)
Max. temperature	85°C
Min temperature	65°C

CERTIFIES

That all our products, provided that they are used in normal conditions or installed in accordance with current standards, are guaranteed against any manufacturing defect for a period of five years, except for products purchased before January 1, 2020, which will have the mand atory coverage of 2 years from the date of invoice.

Requirements and exclusions

Failure to comply with the instructions for assembly, use and maintenance of our products on the packaging and in our catalogue and published on our website: www.imexproducts.es, releases IMEX PRODUCTS, S.L. from any liability.

In any case, the acceptance of the defect by our technical department is necessary. In addition, transport costs will be charged only in the event that on IMEX PRODUCTS, S.L. technician determines the proper functioning of our products.

IMEX PRODUCTS, S.L. will decide to repair the product or replace it. It will be necessary to present the purchase invoice.

Assembly, maintenance or repairs carried out by non-specoalists re excluded from the warranty.

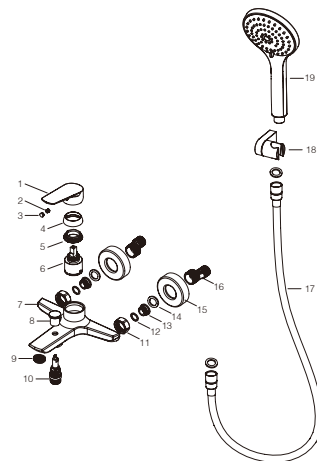
Wearing parts such as hoses, handles, seals, filters, aerators, etc. are not covered by the warranty.



**PRODUCT
INFORMATION
SUMMARY**



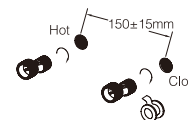
Ref.	EAN	Finish
BDZ044-4	8435668022842	Chrome
BDZ044-4NG	8435668022859	Matte black



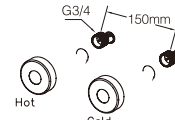
CODE	NAME	MATERIAL	REF	CODE	NAME	MATERIAL	REF
1	Handle	Zinc		16	Cabrio Leg	SUS 304	
2	Screw	SUS 304		17	Hose	SUS 304	FLX004*
3	Button	ABS		18	Shower base	ABS	SMD007*
4	Decorative cap	ABS		19	Shower hand	ABS	MDD010*
5	Nut	Brass	CRT006*				
6	Cartridge	35mm					
7	Body	Brass					
8	Handle	Zinc					
9	Aerator	24x1mm					
10	Water separator	ASSY					
11	Nut	SUS 304					
12	O-ring	NBR					
13	Valve	SUS 304					
14	Rubber washer	NBR					
15	Cover	SUS 304					

* CONSULTAR PARA ACABADOS DE COLOR

Installing instruction



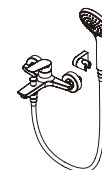
Step 1. Connect curved leg with the inlet pipe inside the wall



Step 2. Connect decorative cover to curved leg

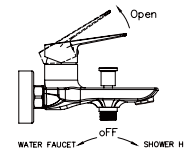
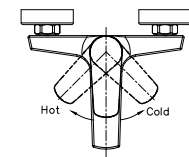


Step 3. Install shower faucet properly, and connect to curved leg on the wall



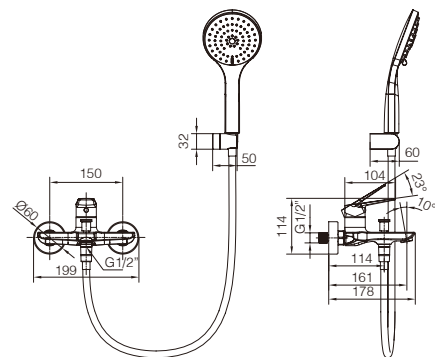
Step 4. Test function of shower set, clean the set

Usage function instruction



FLOW RATE

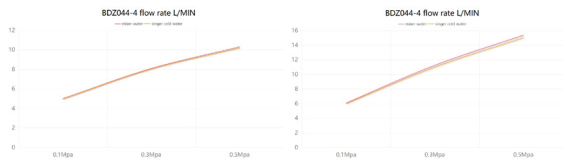
Details	
FLOW RATE REF	BDZ044-4
water outlet mixer water 0.1Mpa(L/MIN)	5.01
water outlet mixer water 0.3Mpa(L/MIN)	8.09
water outlet mixer water 0.5Mpa(L/MIN)	10.31
water outlet singer cold water 0.1Mpa(L/MIN)	4.98
water outlet singer cold water 0.3Mpa(L/MIN)	8.04
water outlet singer cold water 0.5Mpa(L/MIN)	10.2
hand shower mixer water 0.1Mpa(L/MIN)	6.08
hand shower mixer water 0.3Mpa(L/MIN)	11.25
hand shower mixer water 0.5Mpa(L/MIN)	15.37
hand shower singer cold water 0.1Mpa(L/MIN)	6.02
hand shower singer cold water 0.3Mpa(L/MIN)	11
hand shower singer cold water 0.5Mpa(L/MIN)	15.02



Product sizes (cm)	21.5*18*14
Weight (kg)	2
Guarantee	5 years
Max Preassure (bar)	5
Min Preassure (bar)	0.5
Optimum preassure (bar)	1-4 (Recommended 3)
Max. temperature	85°C
Min temperature	65°C

water outlet

hand shower



CERTIFIES

That all our products, provided that they are used in normal conditions or installed in accordance with current standards, are guaranteed against any manufacturing defect for a period of five years, except for products purchased before January 1, 2020, which will have the mand atory coverage of 2 years from the date of invoice.

Requirements and exclusions

Failure to comply with the instructions for assembly, use and maintenance of our products on the packaging and in our catalogue and published on our website: www.imexproducts.es, releases IMEX PRODUCTS, S.L. from any liability.

In any case, the acceptance of the defect by our technical department is necessary. In addition, transport costs will be charged only in the event that on IMEX PRODUCTS, S.L. technician determines the proper functioning of our products.

IMEX PRODUCTS, S.L. will decide to repair the product or replace it. It will be necessary to present the purchase invoice.

Assembly, maintenance or repairs carried out by non-specoalists re excluded from the warranty.

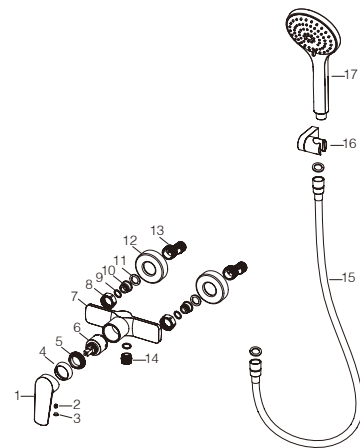
Wearing parts such as hoses, handles, seals, filters, aerators, etc. are not covered by the warranty.



**PRODUCT
INFORMATION
SUMMARY**



Ref.	EAN	Finish
BDZ044-5	8435668020497	Chrome
BDZ044-5NG	8435668022866	Matte black



CODE	NAME	MATERIAL	REF	CODE	NAME	MATERIAL	REF
1	Handle	Zinc		16	Shower base	ABS	SMD007*
2	Screw	SUS 304		17	Shower hand	ABS	MDD010*
3	Button	ABS					
4	Decorative cap	ABS					
5	Nut	Brass					
6	Cartridge	35mm	CRT006*				
7	Body	Brass					
8	Nut	SUS 304					
9	O-ring	NBR					
10	Valve	SUS 304					
11	Rubber washer	NBR					
12	Cover	SUS 304					
13	Cabrio leg	SUS 304					
14	Connect	Brass					
15	Hose	SUS 304	FLX001*				

* CONSULTAR PARA ACABADOS DE COLOR

Installing instruction

Step 1. Connect curved leg with the inlet pipe inside the wall

Step 2. Connect decorative cover to curved leg

Step 3. Install shower faucet properly, and connect to curved leg on the wall

Step 4. Test function of shower set, clean the set

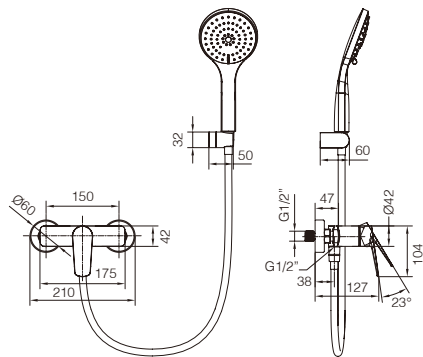
Usage function instruction

Hot Cold

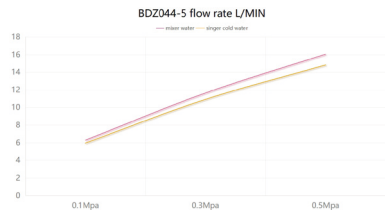
Open

FLOW RATE

Detalles	
FLOW RATE REF	BDZ044-5
mixer water 0.1Mpa(L/MIN)	6.28
mixer water 0.3Mpa(L/MIN)	11.64
mixer water 0.5Mpa(L/MIN)	16.05
singer cold water 0.1Mpa(L/MIN)	5.95
singer cold water 0.3Mpa(L/MIN)	10.91
singer cold water 0.5Mpa(L/MIN)	14.82



Product sizes (cm)	21.5*18*14
Weight (kg)	1.2
Guarantee	5 years
Max Preassure (bar)	5
Min Preassure (bar)	0.5
Optimum preassure (bar)	1-4 (Recommended 3)
Max. temperature	85°C
Min temperature	65°C



CERTIFIES

That all our products, provided that they are used in normal conditions or installed in accordance with current standards, are guaranteed against any manufacturing defect for a period of five years, except for products purchased before January 1, 2020, which will have the mand atory coverage of 2 years from the date of invoice.

Requirements and exclusions

Failure to comply with the instructions for assembly, use and maintenance of our products on the packaging and in our catalogue and published on our website: www.imexproducts.es, releases IMEX PRODUCTS, S.L. from any liability.

In any case, the acceptance of the defect by our technical department is necessary. In addition, transport costs will be charged only in the event that on IMEX PRODUCTS, S.L. technician determines the proper functioning of our products.

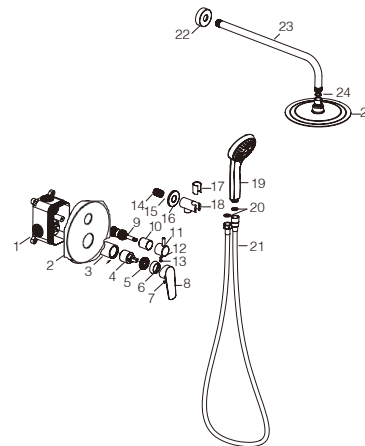
IMEX PRODUCTS, S.L. will decide to repair the product or replace it. It will be necessary to present the purchase invoice.

Assembly, maintenance or repairs carried out by non-specoalists re excluded from the warranty.

Wearing parts such as hoses, handles, seals, filters, aerators, etc. are not covered by the warranty.



PRODUCT INFORMATION SUMMARY



Ref.	EAN	Finish
GPZ044	8435668023085	Chrome
GPZ044/NG	8435668023092	Matte black

CODE	NAME	MATERIAL	REF	CODE	NAME	MATERIAL	REF
1	Box	ABS		16	Cover	Brass	
2	Decorative plate	SUS 304		17	Plastic washer	ABS	
3	Cartridge cover	Brass		18	Body	Brass	
4	Cartridge	35mm	CRT006*	19	Shower hand	ABS	MDD010*
5	Nut	Brass		20	Rubber ring	NBR	
6	Decorative cup	ABS		21	Hose	SUS 304	FLX001*
7	Screw	SUS 304		22	Cover	SUS 304	
8	Handle	Zinc		23	Hose	SUS 304	
9	Cartridge	Brass 27mm		24	Rubber ring	NBR	
10	Cover	Brass		25	Shower head	SUS 304	RDN002*
11	Handle	Zinc					
12	Screw	SUS 304					
13	Button	ABS					
14	Connect	Brass					
15	O-ring	NBR					

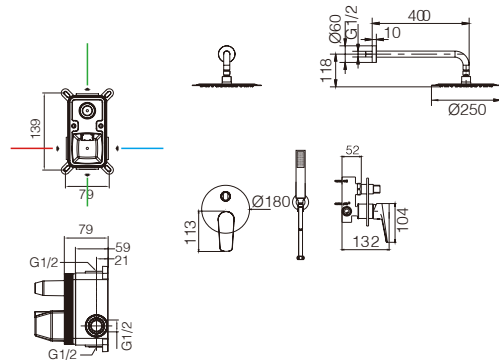
* CONSULTAR PARA ACABADOS DE COLOR

Installing instruction

<p>Step 1. Connect curved leg with the inlet pipe inside the wall</p>	<p>Step 2. Connect decorative cover to curved leg</p>	<p>Step 3. Install shower faucet properly, and connect to curved leg on the wall</p>
<p>Step 4. Install shower pipe according to the distance of fix part</p>	<p>Step 5. Install shower hand and shower head to the set</p>	<p>Step 6. Test function of shower set, clean the set</p>

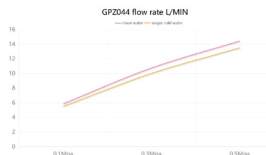
FLOW RATE

Detalles	
FLOW RATE REF	GPZ044
hand shower mixer water 0.1Mpa(L/MIN)	5.85
hand shower mixer water 0.3Mpa(L/MIN)	10.74
hand shower mixer water 0.5Mpa(L/MIN)	14.43
hand shower singer cold water 0.1Mpa(L/MIN)	5.5
hand shower singer cold water 0.3Mpa(L/MIN)	10
hand shower singer cold water 0.5Mpa(L/MIN)	13.5
shower head mixer water 0.1Mpa(L/MIN)	5.87
shower head mixer water 0.3Mpa(L/MIN)	12.34
shower head mixer water 0.5Mpa(L/MIN)	15.75
shower head singer cold water 0.1Mpa(L/MIN)	6.1
shower head singer cold water 0.3Mpa(L/MIN)	11.58
shower head singer cold water 0.5Mpa(L/MIN)	15.37

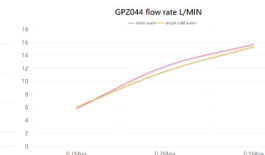


Product sizes (cm)	43*30*14
Weight (kg)	4.1
Guarantee	5 years
Max Preassure (bar)	5
Min Preassure (bar)	0.5
Optimum preassure (bar)	1-4 (Recommended 3)
Max. temperature	85°C
Min temperature	65°C

hand shower



shower head



CERTIFIES

That all our products, provided that they are used in normal conditions or installed in accordance with current standards, are guaranteed against any manufacturing defect for a period of five years, except for products purchased before January 1, 2020, which will have the mand atory coverage of 2 years from the date of invoice.

Requirements and exclusions

Failure to comply with the instructions for assembly, use and maintenance of our products on the packaging and in our catalogue and published on our website: www.imexproducts.es, releases IMEX PRODUCTS, S.L. from any liability.

In any case, the acceptance of the defect by our technical department is necessary. In addition, transport costs will be charged only in the event that on IMEX PRODUCTS, S.L. technician determines the proper functioning of our products.

IMEX PRODUCTS, S.L. will decide to repair the product or replace it. It will be necessary to present the purchase invoice.

Assembly, maintenance or repairs carried out by non-specoalists re excluded from the warranty.

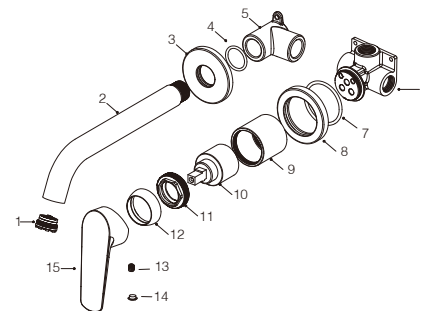
Wearing parts such as hoses, handles, seals, filters, aerators, etc. are not covered by the warranty.



**PRODUCT
INFORMATION
SUMMARY**



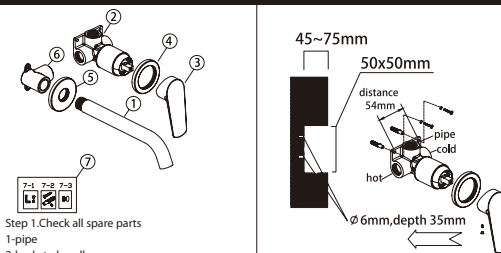
Ref.	EAN	Finish
GLZ044	8435668023061	Chrome
GLZ044/NG	8435668023078	Matte black



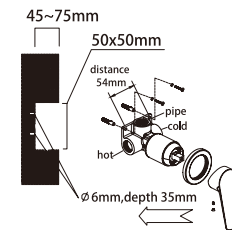
CODE	NAME	MATERIAL	REF
1	Aerator	18.5mmx1mm	SAT-AIR018*
2	Outlet pipe	Brass	
3	Cover	Brass	
4	O-ring	NBR	
5	Connector	Brass	
6	Body	Brass	
7	O-ring	NBR	
8	Cover	Brass	
9	Cartridge cover	Brass	
10	Cartridge	35mm	CRT006*
11	Nut	Brass	
12	Cover	ABS	
13	Screw	SUS 304	
14	Cover	ABS	
15	Handle	Zinc	

* CONSULTAR PARA ACABADOS DE COLOR

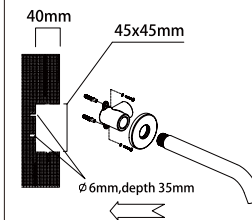
Installing instruction



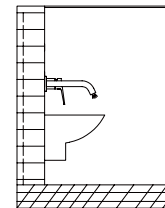
- Step 1. Check all spare parts
 1-pipe
 2-body to handle
 3-handle
 4-cover plate of handle
 5-cover plate of pipe
 6-body to pipe
 7-spare part bag



- Step 2. Dig hole for body to handle
 2.1-Hole size 50*50mm, depth from 45 to 75mm
 2.2-Dig two 6mm holes with 54mm distance
 2.3- Assemble spare parts as picture shows



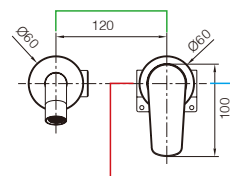
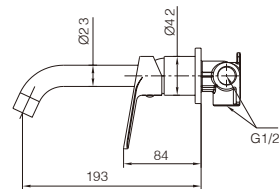
- Step 3. Dig hole for body to pipe
 3.1-Hole size 45*45mm, depth 40mm
 3.2-Dig two 6mm holes with 35mm distance
 3.3- Assemble spare parts as picture shows



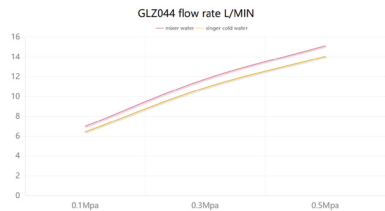
- Step 4. Connect inside pipe and test for leak checking

FLOW RATE

Detalles	
FLOW RATE REF	GLZ044
mixer water 0.1Mpa(L/MIN)	6.97
mixer water 0.3Mpa(L/MIN)	11.74
mixer water 0.5Mpa(L/MIN)	15.1
singer cold water 0.1Mpa(L/MIN)	6.41
singer cold water 0.3Mpa(L/MIN)	10.88
singer cold water 0.5Mpa(L/MIN)	14.04



Product sizes (cm)	29*17.5*6.7
Weight (kg)	1.06
Guarantee	5 years
Max Preassure (bar)	5
Min Preassure (bar)	0.5
Optimum preassure (bar)	1-4 (Recommended 3)
Max. temperature	85°C
Min temperature	65°C



CERTIFIES

That all our products, provided that they are used in normal conditions or installed in accordance with current standards, are guaranteed against any manufacturing defect for a period of five years, except for products purchased before January 1, 2020, which will have the mand atory coverage of 2 years from the date of invoice.

Requirements and exclusions

Failure to comply with the instructions for assembly, use and maintenance of our products on the packaging and in our catalogue and published on our website: www.imexproducts.es, releases IMEX PRODUCTS, S.L. from any liability.

In any case, the acceptance of the defect by our technical department is necessary. In addition, transport costs will be charged only in the event that on IMEX PRODUCTS, S.L. technician determines the proper functioning of our products.

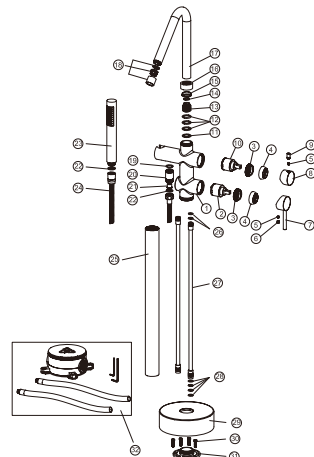
IMEX PRODUCTS, S.L. will decide to repair the product or replace it. It will be necessary to present the purchase invoice.

Assembly, maintenance or repairs carried out by non-specoalists re excluded from the warranty.

Wearing parts such as hoses, handles, seals, filters, aerators, etc. are not covered by the warranty.



**PRODUCT
INFORMATION
SUMMARY**



Ref.	EAN	Finish
BBEZ044	8435668022873	Chrome
BBEZ044/NG	8435668022880	Matte black

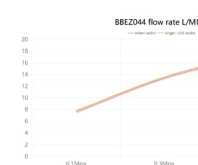
CODE	NAME	MATERIAL	REF	CODE	NAME	MATERIAL	REF
1	Valve body	Brass	19	O-ring	NBR		
2	Cartridge	35mm	CRT006*	20	Connect	Brass	
3	Cartridge locknut	Brass		21	Throttle check valve	Plastic	
4	Trim cap	Brass		22	Rubber washer	EPDM	
5	Set screw	SUS 304		23	Hand shower	ABS/ Brass	
6	Button	ABS		24	Shower flexible hose	SUS 304	
7	Handle	Zinc		25	Straight pipe	SUS 304	
8	Diverter knob	Zinc		26	O-ring	NBR	
9	Screw	Brass		27	Water mixer straight pipe	Brass	
10	Diverter	35mm	CRT065*	28	O-ring	NBR	
11	Protective ring	Plastic		29	Decorative cover	SUS 304	
12	O-ring	NBR		30	Set screw	SUS 304	
13	Connect	Brass		31	Connecting seat	SUS 304	
14	O-ring	NBR		32	Embedded box kit	SUS 304	
15	Protective ring	Plastic					
16	Nut	Brass					
17	Tub spout	Brass					
18	Rubber washer	EPDM	SAT-AIR021*				

* CONSULTAR PARA ACABADOS DE COLOR

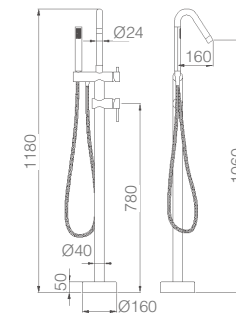
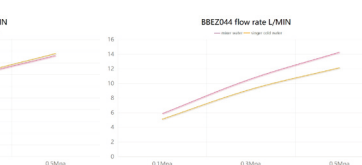
FLOW RATE

Detalles	
FLOW RATE REF	BBEZ044
water outlet mixer water 0.1Mpa(L/MIN)	7.6
water outlet mixer water 0.3Mpa(L/MIN)	13.38
water outlet mixer water 0.5Mpa(L/MIN)	17.25
water outlet singer cold water 0.1Mpa(L/MIN)	7.85
water outlet singer cold water 0.3Mpa(L/MIN)	13.59
water outlet singer cold water 0.5Mpa(L/MIN)	17.61
hand shower mixer water 0.1Mpa(L/MIN)	5.87
hand shower mixer water 0.3Mpa(L/MIN)	10.62
hand shower mixer water 0.5Mpa(L/MIN)	14.27
hand shower singer cold water 0.1Mpa(L/MIN)	5.12
hand shower singer cold water 0.3Mpa(L/MIN)	9.2
hand shower singer cold water 0.5Mpa(L/MIN)	12.15

water outlet



hand shower

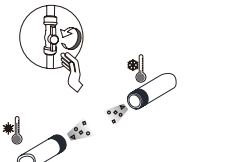
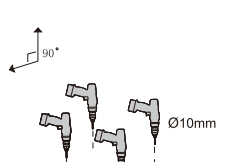
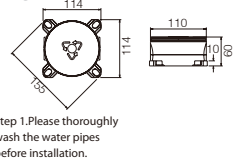
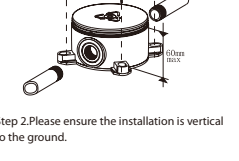
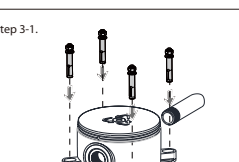


Product sizes (cm)	86.5*32.5*8.8
Weight (kg)	5.5
Guarantee	5 years
Max Pressure (bar)	5
Min Pressure (bar)	0.5
Optimum pressure (bar)	1-4 (Recommended 3)
Max. temperature	85°C
Min temperature	65°C



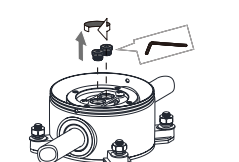
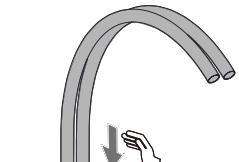
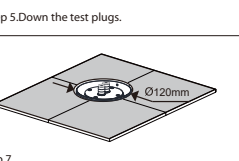
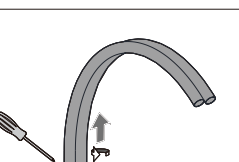

BÉLGICA
Series

IMEX
BATH-EQUIPMENTS

Installing instruction	
 <p>Step 1. Please thoroughly wash the water pipes before installation.</p>	 <p>Step 2. Please ensure the installation is vertical to the ground.</p>
 <p>Step 3-1.</p>	 <p>Step 3-2.</p>
 <p>Step 4. Please turn on the water supply and check all the connections for any leak.</p>	

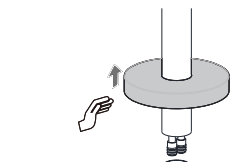
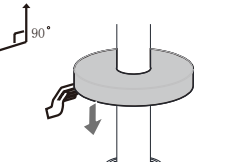
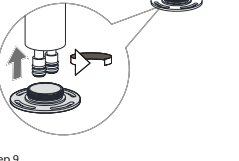

BÉLGICA
Series

IMEX
BATH-EQUIPMENTS

Installing instruction	
 <p>Step 5. Down the test plugs.</p>	 <p>Step 6-1. Flush the pipes thoroughly by the steps shown in the figure.</p>
 <p>Step 7.</p>	
 <p>Step 8. Remove the test plugs.</p>	 <p>Step 6-2.</p>

BÉLGICA
Series

IMEX
BATH-EQUIPMENTS

Installing instruction	
 <p>Step 9.</p>	 <p>Step 10. Please ensure the installation is vertical to the ground.</p>
 <p>Step 11. Please turn on the water supply and check all the connections for any leak.</p>	 <p>When installation, Cold and hot water inlets must be aligned with the cold and hot outlet holes and be careful not damaging the sealing washer.</p>

BÉLGICA
Series

IMEX
BATH-EQUIPMENTS

CERTIFIES

That all our products, provided that they are used in normal conditions or installed in accordance with current standards, are guaranteed against any manufacturing defect for a period of five years, except for products purchased before January 1, 2020, which will have the mandatory coverage of 2 years from the date of invoice.

Requirements and exclusions

Failure to comply with the instructions for assembly, use and maintenance of our products on the packaging and in our catalogue and published on our website: www.imexproducts.es, releases IMEX PRODUCTS, S.L. from any liability.

In any case, the acceptance of the defect by our technical department is necessary. In addition, transport costs will be charged only in the event that an IMEX PRODUCTS, S.L. technician determines the proper functioning of our products.

IMEX PRODUCTS, S.L. will decide to repair the product or replace it. It will be necessary to present the purchase invoice.

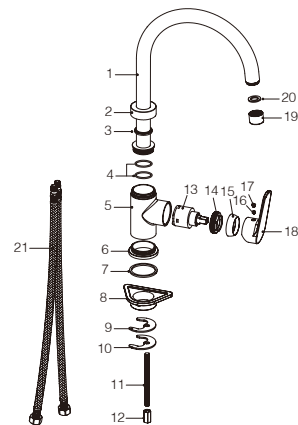
Assembly, maintenance or repairs carried out by non-specialists are excluded from the warranty.

Wearing parts such as hoses, handles, seals, filters, aerators, etc. are not covered by the warranty.

**PRODUCT
INFORMATION
SUMMARY**



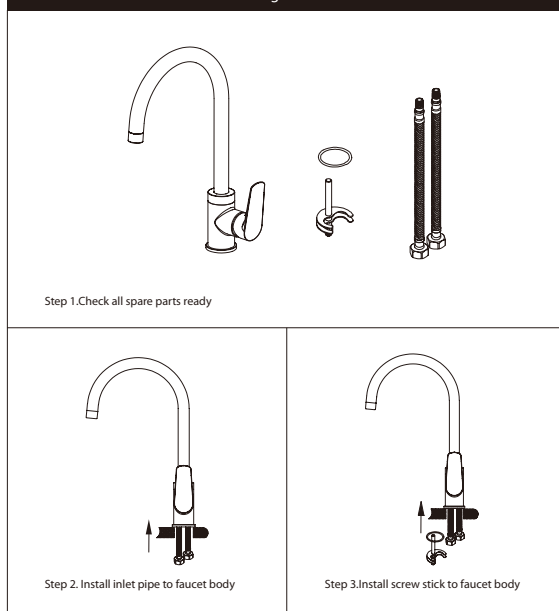
Ref.	EAN	Finish
GCZ044	8435668023047	Chrome
GCZ044-NG	8435668023054	Matte black



CODE	NAME	MATERIAL	REF	CODE	NAME	MATERIAL	REF
1	Pipe	SUS 304		16	Screw	SUS 304	
2	Nut	Brass		17	Cover	ABS	
3	Washer	POM		18	Handle	Zinc	
4	O-ring	NBR		19	Percolator	SUS 304	SAT-AIR021*
5	Body	Brass		20	Washer	NBR	
6	Base	Brass		21	Connecting Pipe	TAQ-FEX-DIN6-ACB H3/8-M10X1 L12-500-R&B	SAT-HOSE57*
7	Washer	Brass					
8	Base	POM					
9	Washer	NBR					
10	Washer	SUS 304					
11	Screw	SUS 304					
12	Nut	Brass					
13	Cartridge	35mm	CRT006*				
14	Nut	Brass					
15	Cover	ABS					

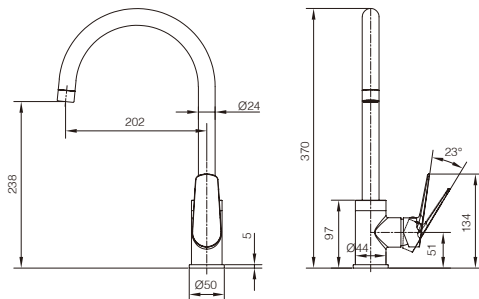
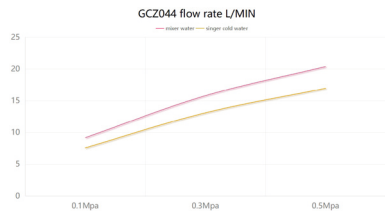
* CONSULTAR PARA ACABADOS DE COLOR

Installing instruction



FLOW RATE

Detalles	
FLOW RATE REF	GCZ044
mixer water 0.1Mpa(L/MIN)	9.16
mixer water 0.3Mpa(L/MIN)	15.78
mixer water 0.5Mpa(L/MIN)	20.37
singer cold water 0.1Mpa(L/MIN)	7.57
singer cold water 0.3Mpa(L/MIN)	13.09
singer cold water 0.5Mpa(L/MIN)	16.95



Product sizes (cm)	42*24.5*5.9
Weight (kg)	1.3
Guarantee	5 years
Max Preassure (bar)	5
Min Preassure (bar)	0.5
Optimum preassure (bar)	1-4 (Recommended 3)
Max. temperature	85°C
Min temperature	65°C

CERTIFIES

That all our products, provided that they are used in normal conditions or installed in accordance with current standards, are guaranteed against any manufacturing defect for a period of five years, except for products purchased before January 1, 2020, which will have the mand atory coverage of 2 years from the date of invoice.

Requirements and exclusions

Failure to comply with the instructions for assembly, use and maintenance of our products on the packaging and in our catalogue and published on our website: www.imexproducts.es, releases IMEX PRODUCTS, S.L. from any liability.

In any case, the acceptance of the defect by our technical department is necessary. In addition, transport costs will be charged only in the event that on IMEX PRODUCTS, S.L. technician determines the proper functioning of our products.

IMEX PRODUCTS, S.L. will decide to repair the product or replace it. It will be necessary to present the purchase invoice.

Assembly, maintenance or repairs carried out by non-specoalists re excluded from the warranty.

Wearing parts such as hoses, handles, seals, filters, aerators, etc. are not covered by the warranty.

