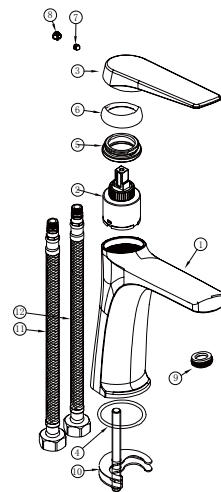


**PRODUCT  
INFORMATION  
SUMMARY**



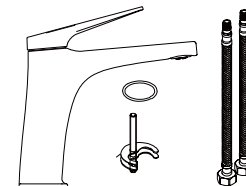
Ref.	EAN	Finish
BDD055-1	8435668033930	Chrome
BDD055-1BGM	8435668037945	Gun grey
BDD055-1NG	8435668033947	Matte black
BDD055-1ORC	8435668033961	Brushed rose gold
BDD055-1OC	8435668033954	Brushed gold



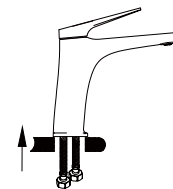
CODE	NAME	MATERIAL	REF
1	Faucet body	Brass	
2	Cartridge Ø28mm	Assembly	CRT087*
3	Handle	Zinc	
4	O-ring	NBR	
5	Cap	Brass	
6	Cover plate	Brass	
7	M5x6 inner six corner set screws	SUS 304	
8	Color button	ABS	
9	Mm 24 aerator	ABS	SAT-AIR019*
10	Pack	SUS 304	
11	Inlet hose	SUS 304	
12	Connecting Pipe	TAQ-PEX-DN6-ACB H3/8-M10X1 L12-500-R&B	SAT-HOSES7*

\* CONSULTAR PARA ACABADOS DE COLOR

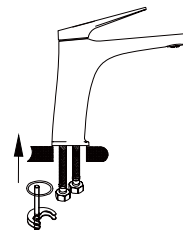
Installing instruction



Step 1. Check all spare parts ready



Step 2. Install inlet pipe to faucet body

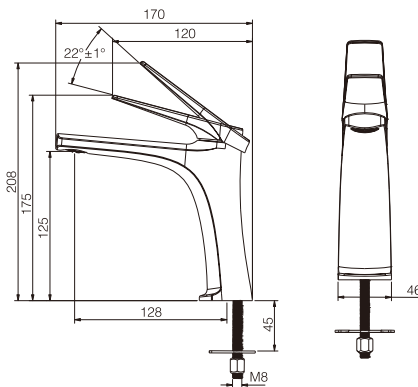
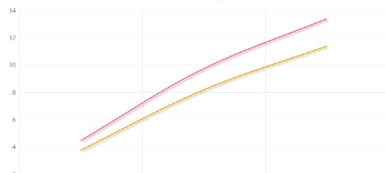


Step 3. Install screw stick to faucet body

### FLOW RATE

Detalles	
FLOW RATE REF	BDD055-1
mixer water 0.1Mpa(L/MIN)	4.5
mixer water 0.3Mpa(L/MIN)	9.75
mixer water 0.5Mpa(L/MIN)	13.4
singer cold water 0.1Mpa(L/MIN)	3.8
singer cold water 0.3Mpa(L/MIN)	8.2
singer cold water 0.5Mpa(L/MIN)	11.4

BDD055-1 flow rate L/MIN  
— mixer water — singer cold water



Units: mm

Product sizes (cm)	30*21*6
Weight (kg)	1.31
Guarantee	5 years
Max Preassure (bar)	6
Min Preassure (bar)	0.5
Optimum preassure (bar)	1-4 (Recommended 3)
Max. temperature	85°C
Min temperature	65°C

### CERTIFIES

That all our products, provided that they are used in normal conditions or installed in accordance with current standards, are guaranteed against any manufacturing defect for a period of five years, except for products purchased before January 1, 2020, which will have the mand atory coverage of 2 years from the date of invoice.

#### Requirements and exclusions

Failure to comply with the instructions for assembly, use and maintenance of our products on the packaging and in our catalogue and published on our website: [www.imexproducts.es](http://www.imexproducts.es), releases IMEX PRODUCTS, S.L. from any liability.

In any case, the acceptance of the defect by our technical department is necessary. In addition, transport costs will be charged only in the event that on IMEX PRODUCTS, S.L. technician determines the proper functioning of our products.

IMEX PRODUCTS, S.L. will decide to repair the product or replace it. It will be necessary to present the purchase invoice.

Assembly, maintenance or repairs carried out by non-specoalists re excluded from the warranty.

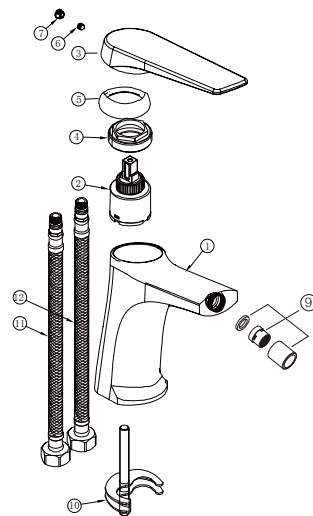
Wearing parts such as hoses, handles, seals, filters, aerators, etc. are not covered by the warranty.



**PRODUCT  
INFORMATION  
SUMMARY**



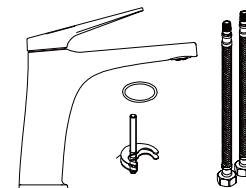
Ref.	EAN	Finish
BDD055-2	8435668033978	Chrome
BDD055-2BGM	8435668037969	Gun grey
BDD055-2NG	8435668033985	Matte black
BDD055-2ORC	8435668034005	Brushed rose gold
BDD055-2OC	8435668033992	Brushed gold



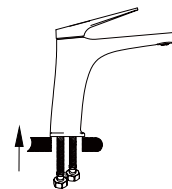
CODE	NAME	MATERIAL	REF
1	Faucet body	Brass	
2	Cartridge	Assembly	CRT087*
3	Handle	Zinc	
4	O-ring	NBR	
5	Cap	Brass	
6	Cover plate	Brass	
7	M5x6 inner six corner set screws	SUS 304	
8	Color button	ABS	
9	Aerator	Assembly	SAT-AIR032*
10	Pack	SUS 304	
11	Inlet hose	SUS 304	
12	Connecting Pipe	TAQ-PEX-DN6-ACB H3/8-M10X1 L12-500-R&B	SAT-HOSES7*

\* CONSULTAR PARA ACABADOS DE COLOR

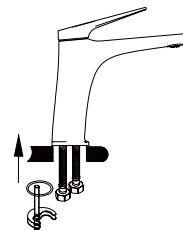
Installing instruction



Step 1. Check all spare parts ready



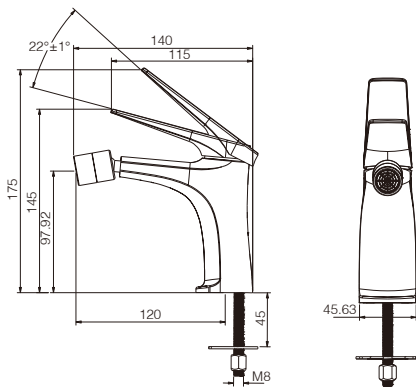
Step 2. Install inlet pipe to faucet body



Step 3. Install screw stick to faucet body

### FLOW RATE

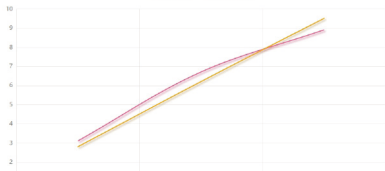
Detalles	
FLOW RATE REF	BDD055-2
mixer water 0.1Mpa(L/MIN)	3.1
mixer water 0.3Mpa(L/MIN)	6.7
mixer water 0.5Mpa(L/MIN)	8.9
singer cold water 0.1Mpa(L/MIN)	2.8
singer cold water 0.3Mpa(L/MIN)	6.2
singer cold water 0.5Mpa(L/MIN)	9.5



Units: mm

Product sizes (cm)	30*21*6
Weight (kg)	1.21
Guarantee	5 years
Max Preassure (bar)	6
Min Preassure (bar)	0.5
Optimum preassure (bar)	1-4 (Recommended 3)
Max. temperature	85°C
Min temperature	65°C

BDD055-2 flow rate L/MIN  
— mixer water — singer cold water



### CERTIFIES

That all our products, provided that they are used in normal conditions or installed in accordance with current standards, are guaranteed against any manufacturing defect for a period of five years, except for products purchased before January 1, 2020, which will have the mand atory coverage of 2 years from the date of invoice.

#### Requirements and exclusions

Failure to comply with the instructions for assembly, use and maintenance of our products on the packaging and in our catalogue and published on our website: [www.imexproducts.es](http://www.imexproducts.es), releases IMEX PRODUCTS, S.L. from any liability.

In any case, the acceptance of the defect by our technical department is necessary. In addition, transport costs will be charged only in the event that on IMEX PRODUCTS, S.L. technician determines the proper functioning of our products.

IMEX PRODUCTS, S.L. will decide to repair the product or replace it. It will be necessary to present the purchase invoice.

Assembly, maintenance or repairs carried out by non-specoalists re excluded from the warranty.

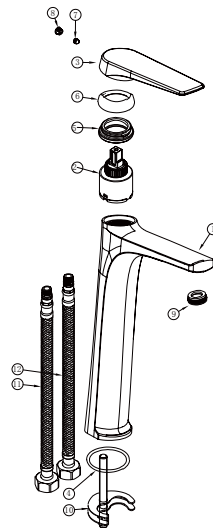
Wearing parts such as hoses, handles, seals, filters, aerators, etc. are not covered by the warranty.



**PRODUCT  
INFORMATION  
SUMMARY**



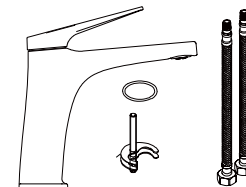
Ref.	EAN	Finish
BDD055-3	8435668034012	Chrome
BDD055-3BGM	8435668037983	Gun grey
BDD055-3NG	8435668034029	Matte black
BDD055-3ORC	8435668034043	Brushed rose gold
BDD055-3OC	8435668034036	Brushed gold



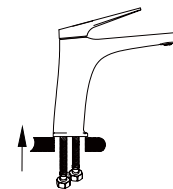
CODE	NAME	MATERIAL	REF
1	Faucet body	Brass	
2	Cartridge Ø28mm	Assembly	CRT087*
3	Handle	Zinc	
4	O-ring	NBR	
5	Cap	Brass	
6	Cover plate	Brass	
7	M5x6 inner six corner set screws	SUS 304	
8	Color button	ABS	
9	Aerator	ABS	SAT-AIR019*
10	Pack	SUS 304	
11	Inlet hose	SUS 304	
12	Connecting Pipe	TAQ-PEX-DN6-ACB H3/8-M10X1 L12-500-R&B	SAT-HOSES7*

\* CONSULTAR PARA ACABADOS DE COLOR

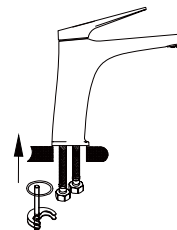
Installing instruction



Step 1. Check all spare parts ready



Step 2. Install inlet pipe to faucet body

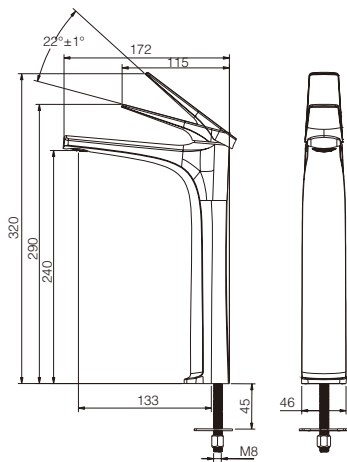
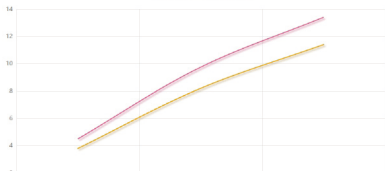


Step 3. Install screw stick to faucet body

### FLOW RATE

Detalles	
FLOW RATE REF	BDD055-3
mixer water 0.1Mpa(L/MIN)	4.5
mixer water 0.3Mpa(L/MIN)	9.75
mixer water 0.5Mpa(L/MIN)	13.4
singer cold water 0.1Mpa(L/MIN)	3.8
singer cold water 0.3Mpa(L/MIN)	8.2
singer cold water 0.5Mpa(L/MIN)	11.4

BDD055-3 flow rate L/MIN  
— mixer water — singer cold water



Units: mm

Product sizes (cm)	36*25*6
Weight (kg)	1.82
Guarantee	5 years
Max Preassure (bar)	6
Min Preassure (bar)	0.5
Optimum preassure (bar)	1-4 (Recommended 3)
Max. temperature	85°C
Min temperature	65°C

### CERTIFIES

That all our products, provided that they are used in normal conditions or installed in accordance with current standards, are guaranteed against any manufacturing defect for a period of five years, except for products purchased before January 1, 2020, which will have the mand atory coverage of 2 years from the date of invoice.

#### Requirements and exclusions

Failure to comply with the instructions for assembly, use and maintenance of our products on the packaging and in our catalogue and published on our website: [www.imexproducts.es](http://www.imexproducts.es), releases IMEX PRODUCTS, S.L. from any liability.

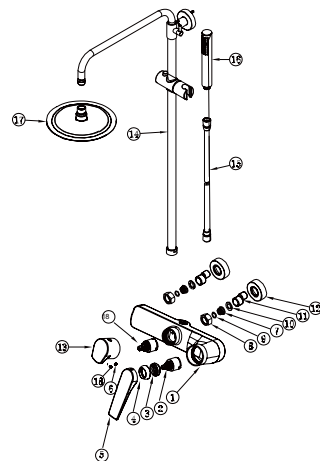
In any case, the acceptance of the defect by our technical department is necessary. In addition, transport costs will be charged only in the event that on IMEX PRODUCTS, S.L. technician determines the proper functioning of our products.

IMEX PRODUCTS, S.L. will decide to repair the product or replace it. It will be necessary to present the purchase invoice.

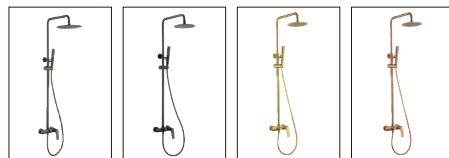
Assembly, maintenance or repairs carried out by non-specoalists re excluded from the warranty.

Wearing parts such as hoses, handles, seals, filters, aerators, etc. are not covered by the warranty.





## PRODUCT INFORMATION SUMMARY

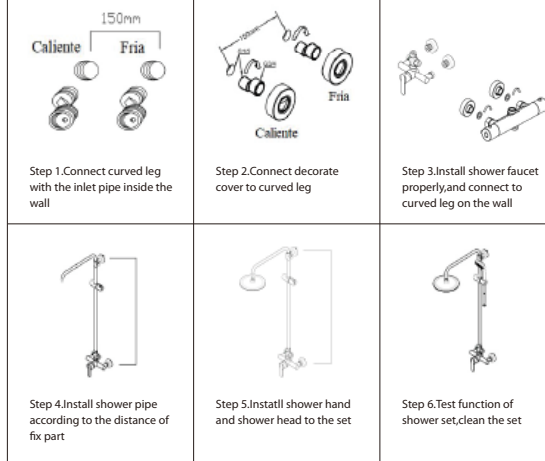


Ref.	EAN	Finish
BDD055	8435668033893	Chrome
BDD055/BGM	8435668037921	Gun grey
BDD055/NG	8435668033909	Matte black
BDD055/ORC	8435668033923	Brushed rose gold
BDD055/OC	8435668033916	Brushed gold

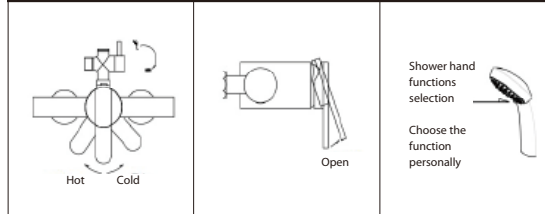
CODE	NAME	MATERIAL	REF
1	Faucet body	Brass	
2	Cartridge Ø30mm	Assembly	CRT088*
3	Cap	Brass	
4	Decorative cover plate	Brass	
5	Handle	Zinc	
6	Screw	SUS 304	
7	O-ring	NBR	
8	Hexagon nut	Brass	
9	Water level screw	Brass	
10	O-ring	NBR	
11	Cabrio leg	SUS 304	
12	Cover plate	SUS 304	
13	Diverter handle	Zinc	
14	Shower pipe	SUS 304	RR0011*
15	Shower hose	SUS304/PVC	FLX005*
16	Shower hand	ABS	MDR015*
17	Shower head	SUS 304	RDN001*
18	Diverter cartridge	Assembly	CRT071*

\* CONSULTAR PARA ACABADOS DE COLOR

### Shower set installing instruction



### Usage function instruction

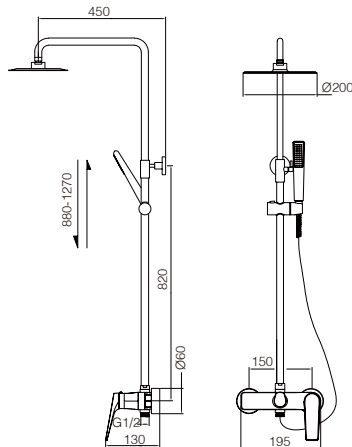


### FLOW RATE

Detalles	
FLOW RATE REF	BDD055
hand shower mixer water 0.1Mpa(L/MIN)	2.75
hand shower mixer water 0.3Mpa(L/MIN)	7.7
hand shower mixer water 0.5Mpa(L/MIN)	11.4
hand shower singer cold water 0.1Mpa(L/MIN)	2.6
hand shower singer cold water 0.3Mpa(L/MIN)	7.1
hand shower singer cold water 0.5Mpa(L/MIN)	10.2
shower head mixer water 0.1Mpa(L/MIN)	4.3
shower head mixer water 0.3Mpa(L/MIN)	11.6
shower head mixer water 0.5Mpa(L/MIN)	16
shower head singer cold water 0.1Mpa(L/MIN)	3.7
shower head singer cold water 0.3Mpa(L/MIN)	9.9
shower head singer cold water 0.5Mpa(L/MIN)	13.7

hand shower

shower head



Units: mm

Product sizes (cm)	14*90.5*42.5
Weight (kg)	4.88
Guarantee	5 years
Max Preassure (bar)	6
Min Preassure (bar)	0.5
Optimum preassure (bar)	1-4 (Recommended 3)
Max. temperature	85°C
Min temperature	65°C

### CERTIFIES

That all our products, provided that they are used in normal conditions or installed in accordance with current standards, are guaranteed against any manufacturing defect for a period of five years, except for products purchased before January 1, 2020, which will have the mand atory coverage of 2 years from the date of invoice.

#### Requirements and exclusions

Failure to comply with the instructions for assembly, use and maintenance of our products on the packaging and in our catalogue and published on our website: [www.imexproducts.es](http://www.imexproducts.es), releases IMEX PRODUCTS, S.L. from any liability.

In any case, the acceptance of the defect by our technical department is necessary. In addition, transport costs will be charged only in the event that on IMEX PRODUCTS, S.L. technician determines the proper functioning of our products.

IMEX PRODUCTS, S.L. will decide to repair the product or replace it. It will be necessary to present the purchase invoice.

Assembly, maintenance or repairs carried out by non-specoalists re excluded from the warranty.

Wearing parts such as hoses, handles, seals, filters, aerators, etc. are not covered by the warranty.

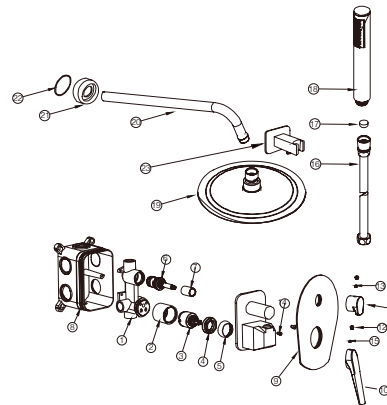




# PRODUCT INFORMATION SUMMARY



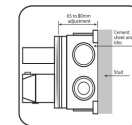
Ref.	EAN	Finish
GPD055	8435668035422	Chrome
GPD055/BGM	8435668038744	Gun grey
GPD055/NG	8435668035439	Matte black
GPD055/ORC	8435668035453	Brushed rose gold
GPD055/OC	8435668035446	Brushed gold



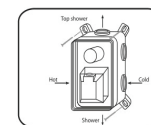
CODE	NAME	MATERIAL	REF
1	Faucet body	Brass	
2	Cartridge cover	Brass	
3	Cartridge Ø30mm	Assembly	CRT0088*
4	Cap	Brass	
5	Decorative cover plate	Brass	
6	Diverter cartridge	Assembly	CRT100*
7	Diverter cartridge cover	Brass	
8	Concealed box	ABS	
9	Cover plate	SUS 304	
10	Handle	Zinc	
11	Diverter handle	Zinc	
12	Color button	ABS	
13	Screw	SUS 304	
14	Color button	ABS	
15	Screw	SUS 304	
16	Shower hose	PVC	FLX005*
17	O-ring	NBR	
18	Shower hand	ABS	MDR015*
19	Shower head	SUS 304	RDN002*
20	Wall pipe	SUS 304	BPR001*
21	Cover plate of wall pipe	SUS 304	
22	Shower seat	Brass	SFD002*

\* CONSULTAR PARA ACABADOS DE COLOR

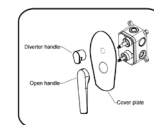
## Installing instruction



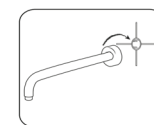
Step 1. Connect curved leg with the inlet pipe inside the wall



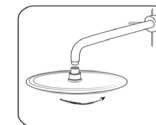
Step 2. Connect decorative cover to curved leg



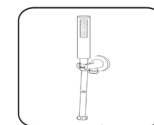
Step 3. Install shower faucet properly, and connect to curved leg on the wall



Step 4. Install shower pipe according to the distance of fix part



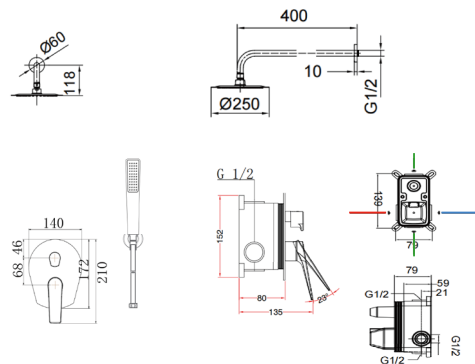
Step 5. Install shower hand and shower head to the set



Step 6. Test function of shower set, clean the set

### FLOW RATE

Detalles	
FLOW RATE REF	GPD055
hand shower mixer water 0.1Mpa(L/MIN)	3.3
hand shower mixer water 0.3Mpa(L/MIN)	8.3
hand shower mixer water 0.5Mpa(L/MIN)	11.5
hand shower singer cold water 0.1Mpa(L/MIN)	3.1
hand shower singer cold water 0.3Mpa(L/MIN)	7.9
hand shower singer cold water 0.5Mpa(L/MIN)	10.9
shower head mixer water 0.1Mpa(L/MIN)	4.8
shower head mixer water 0.3Mpa(L/MIN)	10.3
shower head mixer water 0.5Mpa(L/MIN)	15.2
shower head singer cold water 0.1Mpa(L/MIN)	4.3
shower head singer cold water 0.3Mpa(L/MIN)	9.5
shower head singer cold water 0.5Mpa(L/MIN)	14



Units: mm

Product sizes (cm)	43*30*14
Weight (kg)	3.82
Guarantee	5 years
Max Preassure (bar)	6
Min Preassure (bar)	0.5
Optimum preassure (bar)	1-4 (Recommended 3)
Max. temperature	85°C
Min temperature	65°C

### CERTIFIES

That all our products, provided that they are used in normal conditions or installed in accordance with current standards, are guaranteed against any manufacturing defect for a period of five years, except for products purchased before January 1, 2020, which will have the mand atory coverage of 2 years from the date of invoice.

#### Requirements and exclusions

Failure to comply with the instructions for assembly, use and maintenance of our products on the packaging and in our catalogue and published on our website: [www.imexproducts.es](http://www.imexproducts.es), releases IMEX PRODUCTS, S.L. from any liability.

In any case, the acceptance of the defect by our technical department is necessary. In addition, transport costs will be charged only in the event that on IMEX PRODUCTS, S.L. technician determines the proper functioning of our products.

IMEX PRODUCTS, S.L. will decide to repair the product or replace it. It will be necessary to present the purchase invoice.

Assembly, maintenance or repairs carried out by non-specoalists re excluded from the warranty.

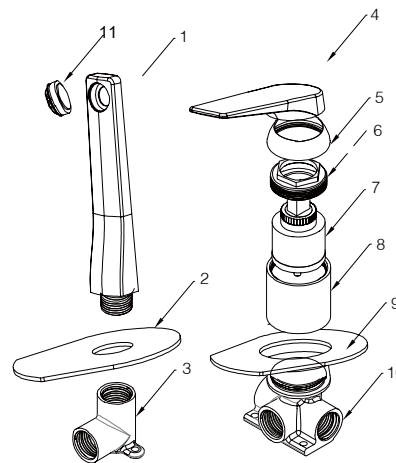
Wearing parts such as hoses, handles, seals, filters, aerators, etc. are not covered by the warranty.



# PRODUCT INFORMATION SUMMARY



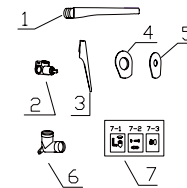
Ref.	EAN	Finish
GLD055	8435668035187	Chrome
GLD055/BGM	8435668038720	Gun grey
GLD055/NG	8435668035194	Matte black
GLD055/ORC	8435668035217	Brushed rose gold
GLD055/OC	8435668035200	Brushed gold



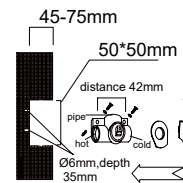
CODE	NAME	MATERIAL	REF
1	Faucet body	SUS 316	
2	Cartridge Ø30mm	Assembly	CRT088*
3	Handle	SUS 316	
4	Cartridge cover	SUS 316	
5	Cap	SUS 316	
6	Decorative cover plate	SUS 316	
7	Cover plate	SUS 316	
8	Cover plate	SUS 316	
9	Faucet body	SUS 316	
10	Spout	SUS 316	
11	MM24 aerator	ABS	SAT-AIR019*

\* CONSULTAR PARA ACABADOS DE COLOR

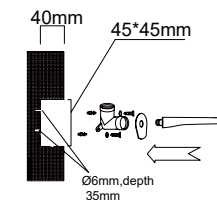
## Installing instruction



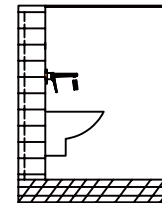
- Step 1. check all spare parts
- 1- pipe
  - 2- body to handle
  - 3- handle
  - 4- cover plate of handle
  - 5- cover plate of pipe
  - 6- body to pipe
  - 7- spare part bag



- Step 2. Dig hole for body to handle
- 2.1- Hole size 50\*50mm, depth from 45 to 75mm;
  - 2.2- Dig two 6mm holes with 42mm distance
  - 2.3- Assemble spare parts as picture shows



- Step 3. Dig hole for body to pipe
- 3.1- Hole size 45\*45mm, depth 40mm;
  - 3.2- Dig two 6mm holes with 35mm distance
  - 3.3- Assemble spare parts as picture shows



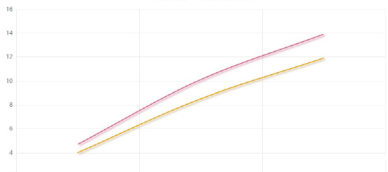
- Step 4. Connect inside pipe and test for leak checking

**DELOS**

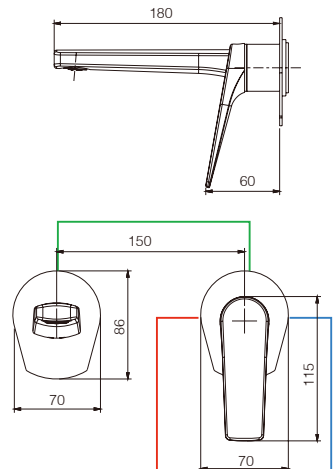
Series

**IMEX**  
BATH EQUIPMENTS**FLOW RATE**

Detalles	
FLOW RATE REF	GLD055
mixer water 0.1Mpa(L/MIN)	4.7
mixer water 0.3Mpa(L/MIN)	10.1
mixer water 0.5Mpa(L/MIN)	13.9
singer cold water 0.1Mpa(L/MIN)	4
singer cold water 0.3Mpa(L/MIN)	8.5
singer cold water 0.5Mpa(L/MIN)	11.9

GLD055 flow rate L/MIN  
— mixer water — singer cold water**DELOS**

Series

**IMEX**  
BATH EQUIPMENTS

Units: mm

Product sizes (cm)	29*17,5*7.2
Weight (kg)	1.5
Guarantee	5 years
Max Preassure (bar)	6
Min Preassure (bar)	0.5
Optimum preassure (bar)	1-4 (Recommended 3)
Max. temperature	85°C
Min temperature	65°C

**DELOS**

Series

**IMEX**  
BATH EQUIPMENTS**CERTIFIES**

That all our products, provided that they are used in normal conditions or installed in accordance with current standards, are guaranteed against any manufacturing defect for a period of five years, except for products purchased before January 1, 2020, which will have the mand atory coverage of 2 years from the date of invoice.

Requirements and exclusions

Failure to comply with the instructions for assembly, use and maintenance of our products on the packaging and in our catalogue and published on our website: [www.imexproducts.es](http://www.imexproducts.es), releases IMEX PRODUCTS, S.L. from any liability.

In any case, the acceptance of the defect by our technical department is necessary. In addition, transport costs will be charged only in the event that on IMEX PRODUCTS, S.L. technician determines the proper functioning of our products.

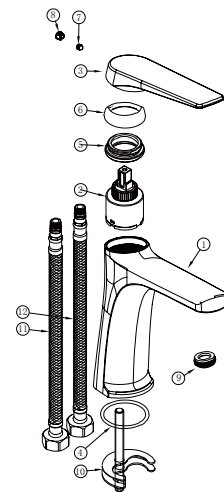
IMEX PRODUCTS, S.L. will decide to repair the product or replace it. It will be necessary to present the purchase invoice.

Assembly, maintenance or repairs carried out by non-specoalists re excluded from the warranty.

Wearing parts such as hoses, handles, seals, filters, aerators, etc. are not covered by the warranty.



**PRODUCT  
INFORMATION  
SUMMARY**

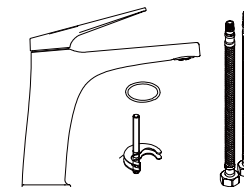


CODE	NAME	MATERIAL	REF
1	Faucet body	Brass	
2	Cartridge Ø28mm	Assembly	CRT087*
3	Handle	Zinc	
4	O-ring	NBR	
5	Cap	Brass	
6	Cover plate	Brass	
7	M5x6 inner six corner set screws	SUS 304	
8	Color button	ABS	
9	Mm 24 aerator	ABS	SAT-AIR019*
10	Pack	SUS 304	
11	Inlet hose	SUS 304	
12	Connecting Pipe	TAQ-PEX-DN6-ACB H3/8-M10X1 L12-500-R&B	SAT-HOSES7*

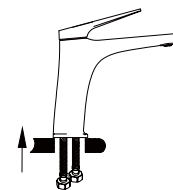
\* CONSULTAR PARA ACABADOS DE COLOR

Ref.	EAN	Finish
BDD055-1AC	8435668037938	316

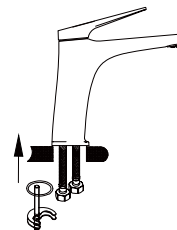
Installing instruction



Step 1. Check all spare parts ready



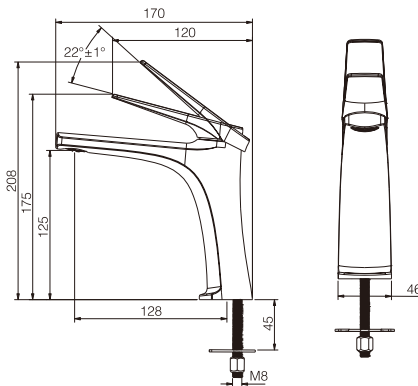
Step 2. Install inlet pipe to faucet body



Step 3. Install screw stick to faucet body

### FLOW RATE

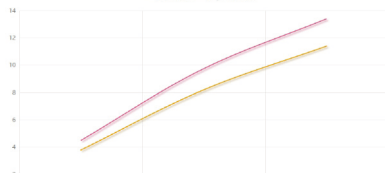
Detalles	
FLOW RATE REF	BDD055-1AC
mixer water 0.1Mpa(L/MIN)	4.5
mixer water 0.3Mpa(L/MIN)	9.75
mixer water 0.5Mpa(L/MIN)	13.4
singer cold water 0.1Mpa(L/MIN)	3.8
singer cold water 0.3Mpa(L/MIN)	8.2
singer cold water 0.5Mpa(L/MIN)	11.4



Units: mm

Product sizes (cm)	30*21*6
Weight (kg)	1.31
Guarantee	10 years
Max Preassure (bar)	6
Min Preassure (bar)	0.5
Optimum preassure (bar)	1-4 (Recommended 3)
Max. temperature	85°C
Min temperature	65°C

BDD055-1 flow rate L/MIN  
— mixer water — singer cold water



### CERTIFIES

That all our products, provided that they are used in normal conditions or installed in accordance with current standards, are guaranteed against any manufacturing defect for a period of five years, except for products purchased before January 1, 2020, which will have the mand atory coverage of 2 years from the date of invoice.

#### Requirements and exclusions

Failure to comply with the instructions for assembly, use and maintenance of our products on the packaging and in our catalogue and published on our website: [www.imexproducts.es](http://www.imexproducts.es), releases IMEX PRODUCTS, S.L. from any liability.

In any case, the acceptance of the defect by our technical department is necessary. In addition, transport costs will be charged only in the event that on IMEX PRODUCTS, S.L. technician determines the proper functioning of our products.

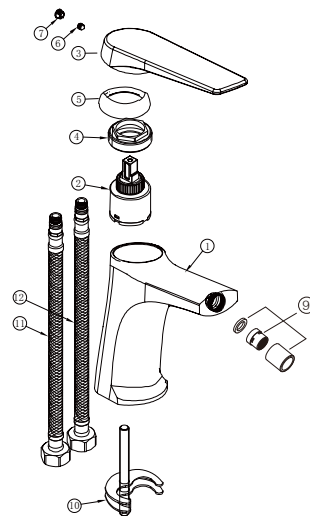
IMEX PRODUCTS, S.L. will decide to repair the product or replace it. It will be necessary to present the purchase invoice.

Assembly, maintenance or repairs carried out by non-specoalists re excluded from the warranty.

Wearing parts such as hoses, handles, seals, filters, aerators, etc. are not covered by the warranty.



**PRODUCT  
INFORMATION  
SUMMARY**

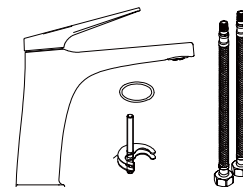


CODE	NAME	MATERIAL	REF
1	Faucet body	Brass	
2	Cartridge Ø28mm	Assembly	CRT087*
3	Handle	Zinc	
4	O-ring	NBR	
5	Cap	Brass	
6	Cover plate	Brass	
7	M5x6 inner six corner set screws	SUS 304	
8	Color button	ABS	
9	Aerator	Assembly	SAT-AIR032/AC*
10	Pack	SUS 304	
11	Inlet hose	SUS 304	
12	Connecting Pipe	TAQ-PEX-DN6-ACB H3/8-M10X1 L12-500-R&B	SAT-HOSES7*

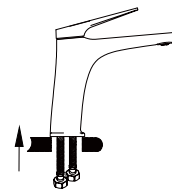
\* CONSULTAR PARA ACABADOS DE COLOR

Ref.	EAN	Finish
BDD055-2AC	8435668037952	316

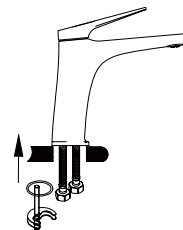
Installing instruction



Step 1. Check all spare parts ready



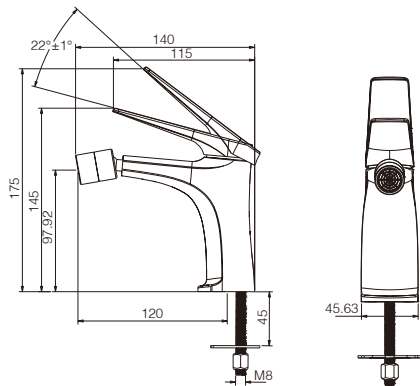
Step 2. Install inlet pipe to faucet body



Step 3. Install screw stick to faucet body

**FLOW RATE**

Detalles	
FLOW RATE REF	BDD055-2AC
mixer water 0.1Mpa(L/MIN)	3.1
mixer water 0.3Mpa(L/MIN)	6.7
mixer water 0.5Mpa(L/MIN)	8.9
singer cold water 0.1Mpa(L/MIN)	2.8
singer cold water 0.3Mpa(L/MIN)	6.2
singer cold water 0.5Mpa(L/MIN)	9.5



Units: mm

Product sizes (cm)	30*21*6
Weight (kg)	1.21
Guarantee	10 years
Max Preassure (bar)	6
Min Preassure (bar)	0.5
Optimum preassure (bar)	1-4 (Recommended 3)
Max. temperature	85°C
Min temperature	65°C

**CERTIFIES**

That all our products, provided that they are used in normal conditions or installed in accordance with current standards, are guaranteed against any manufacturing defect for a period of five years, except for products purchased before January 1, 2020, which will have the mand atory coverage of 2 years from the date of invoice.

Requirements and exclusions

Failure to comply with the instructions for assembly, use and maintenance of our products on the packaging and in our catalogue and published on our website: [www.imexproducts.es](http://www.imexproducts.es), releases IMEX PRODUCTS, S.L. from any liability.

In any case, the acceptance of the defect by our technical department is necessary. In addition, transport costs will be charged only in the event that on IMEX PRODUCTS, S.L. technician determines the proper functioning of our products.

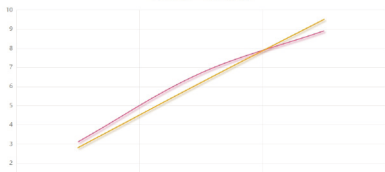
IMEX PRODUCTS, S.L. will decide to repair the product or replace it. It will be necessary to present the purchase invoice.

Assembly, maintenance or repairs carried out by non-specoalists re excluded from the warranty.

Wearing parts such as hoses, handles, seals, filters, aerators, etc. are not covered by the warranty.

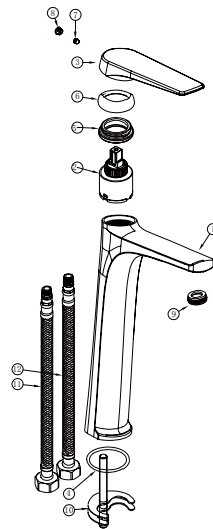


BDD055-2 flow rate L/MIN  
— mixer water — singer cold water





**PRODUCT  
INFORMATION  
SUMMARY**

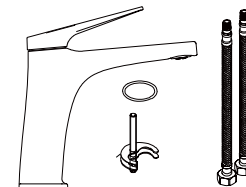


Ref.	EAN	Finish
BDD055-3AC	8435668037976	316

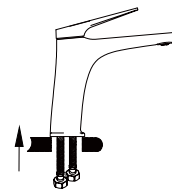
CODE	NAME	MATERIAL	REF
1	Faucet body	Brass	
2	Cartridge Ø28mm	Assembly	CRT087*
3	Handle	Zinc	
4	O-ring	NBR	
5	Cap	Brass	
6	Cover plate	Brass	
7	M5x6 inner six corner set screws	SUS 304	
8	Color button	ABS	
9	Aerator	ABS	SAT-AIR019*
10	Pack	SUS 304	
11	Inlet hose	SUS 304	
12	Connecting Pipe	TAQ-PEX-DN6-ACB H3/8-M10X1 L12-500-R&B	SAT-HOSES7*

\* CONSULTAR PARA ACABADOS DE COLOR

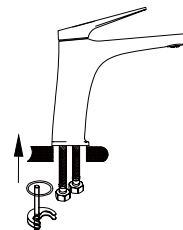
Installing instruction



Step 1. Check all spare parts ready



Step 2. Install inlet pipe to faucet body

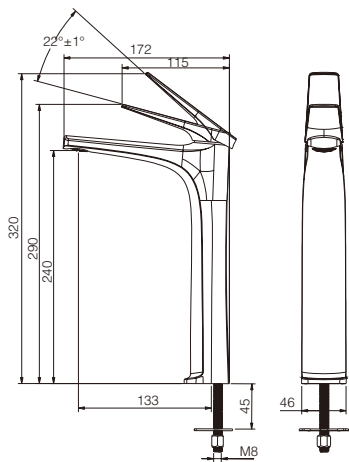
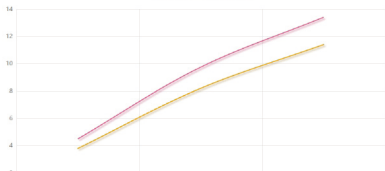


Step 3. Install screw stick to faucet body

### FLOW RATE

Detalles	
FLOW RATE REF	BDD055-3AC
mixer water 0.1Mpa(L/MIN)	4.5
mixer water 0.3Mpa(L/MIN)	9.75
mixer water 0.5Mpa(L/MIN)	13.4
singer cold water 0.1Mpa(L/MIN)	3.8
singer cold water 0.3Mpa(L/MIN)	8.2
singer cold water 0.5Mpa(L/MIN)	11.4

BDD055-3 flow rate L/MIN  
— mixer water — singer cold water



Units: mm

Product sizes (cm)	36*25*6
Weight (kg)	1.82
Guarantee	10 years
Max Preassure (bar)	6
Min Preassure (bar)	0.5
Optimum preassure (bar)	1-4 (Recommended 3)
Max. temperature	85°C
Min temperature	65°C

### CERTIFIES

That all our products, provided that they are used in normal conditions or installed in accordance with current standards, are guaranteed against any manufacturing defect for a period of five years, except for products purchased before January 1, 2020, which will have the mand atory coverage of 2 years from the date of invoice.

#### Requirements and exclusions

Failure to comply with the instructions for assembly, use and maintenance of our products on the packaging and in our catalogue and published on our website: [www.imexproducts.es](http://www.imexproducts.es), releases IMEX PRODUCTS, S.L. from any liability.

In any case, the acceptance of the defect by our technical department is necessary. In addition, transport costs will be charged only in the event that on IMEX PRODUCTS, S.L. technician determines the proper functioning of our products.

IMEX PRODUCTS, S.L. will decide to repair the product or replace it. It will be necessary to present the purchase invoice.

Assembly, maintenance or repairs carried out by non-specoalists re excluded from the warranty.

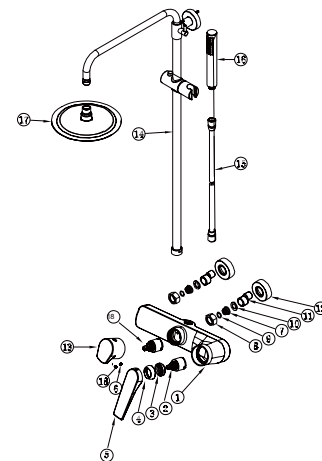
Wearing parts such as hoses, handles, seals, filters, aerators, etc. are not covered by the warranty.



**PRODUCT  
INFORMATION  
SUMMARY**



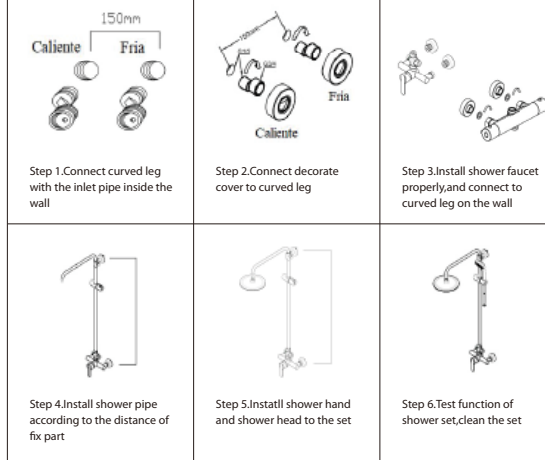
Ref.	EAN	Finish
BDD055/AC	8435668037914	316



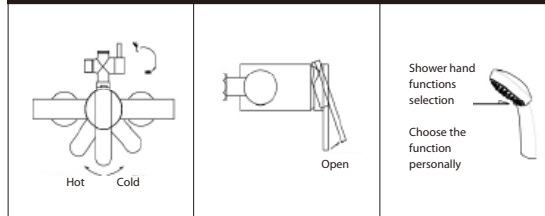
CODE	NAME	MATERIAL	REF
1	Faucet body	Brass	
2	Cartridge Ø30mm	Assembly	CRT088
3	Cap	Brass	
4	Decorative cover plate	Brass	
5	Handle	Zinc	
6	Screw	SUS 304	
7	O-ring	NBR	
8	Hexagon nut	Brass	
9	Water level screw	Brass	
10	O-ring	NBR	
11	Cabrio leg	SUS 304	
12	Cover plate	SUS 304	
13	Diverter handle	Zinc	
14	Shower pipe	SUS 304	RR0011/AC
15	Shower hose	SUS304/PVC	FLX005/AC
16	Shower hand	ABS	MDR015/AC
17	Shower head	SUS 304	RDN001/AC
18	Diverter cartridge	Assembly	CRT071

\* CONSULTAR PARA ACABADOS DE COLOR

**Shower set installing instruction**



**Usage function instruction**



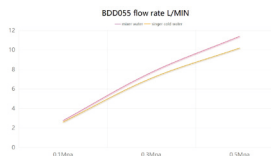
**DELOS**

Series

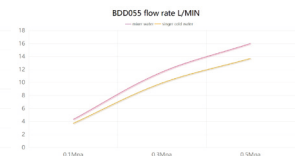
**IMEX**  
BATH EQUIPMENTS**FLOW RATE**

Detalles	
FLOW RATE REF	BDD055/AC
hand shower mixer water 0.1Mpa(L/MIN)	2.75
hand shower mixer water 0.3Mpa(L/MIN)	7.7
hand shower mixer water 0.5Mpa(L/MIN)	11.4
hand shower singer cold water 0.1Mpa(L/MIN)	2.6
hand shower singer cold water 0.3Mpa(L/MIN)	7.1
hand shower singer cold water 0.5Mpa(L/MIN)	10.2
shower head mixer water 0.1Mpa(L/MIN)	4.3
shower head mixer water 0.3Mpa(L/MIN)	11.6
shower head mixer water 0.5Mpa(L/MIN)	16
shower head singer cold water 0.1Mpa(L/MIN)	3.7
shower head singer cold water 0.3Mpa(L/MIN)	9.9
shower head singer cold water 0.5Mpa(L/MIN)	13.7

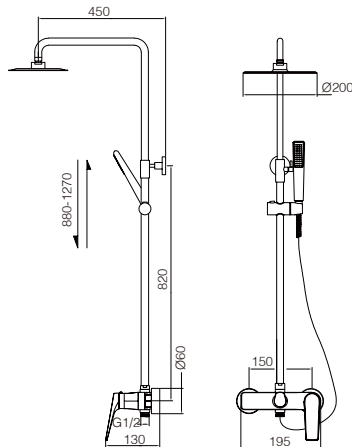
hand shower



shower head

**DELOS**

Series

**IMEX**  
BATH EQUIPMENTS

Units: mm

Product sizes (cm)	14*90.5*42.5
Weight (kg)	4.88
Guarantee	10 years
Max Preassure (bar)	6
Min Preassure (bar)	0.5
Optimum preassure (bar)	1-4 (Recommended 3)
Max. temperature	85°C
Min temperature	65°C

**DELOS**

Series

**IMEX**  
BATH EQUIPMENTS**CERTIFIES**

That all our products, provided that they are used in normal conditions or installed in accordance with current standards, are guaranteed against any manufacturing defect for a period of five years, except for products purchased before January 1, 2020, which will have the mand atory coverage of 2 years from the date of invoice.

Requirements and exclusions

Failure to comply with the instructions for assembly, use and maintenance of our products on the packaging and in our catalogue and published on our website: [www.imexproducts.es](http://www.imexproducts.es), releases IMEX PRODUCTS, S.L. from any liability.

In any case, the acceptance of the defect by our technical department is necessary. In addition, transport costs will be charged only in the event that on IMEX PRODUCTS, S.L. technician determines the proper functioning of our products.

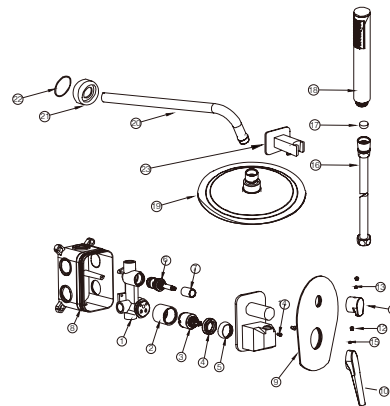
IMEX PRODUCTS, S.L. will decide to repair the product or replace it. It will be necessary to present the purchase invoice.

Assembly, maintenance or repairs carried out by non-specoalists re excluded from the warranty.

Wearing parts such as hoses, handles, seals, filters, aerators, etc. are not covered by the warranty.



**PRODUCT  
INFORMATION  
SUMMARY**

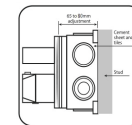


CODE	NAME	MATERIAL	REF
1	Faucet body	Brass	
2	Cartridge cover	Brass	
3	Cartridge Ø30mm	Assembly	CRT0088*
4	Cap	Brass	
5	Decorative cover plate	Brass	
6	Diverter cartridge	Assembly	CRT100*
7	Diverter cartridge cover	Brass	
8	Concealed box	ABS	
9	Cover plate	SUS 304	
10	Handle	Zinc	
11	Diverter handle	Zinc	
12	Color button	ABS	
13	Screw	SUS 304	
14	Color button	ABS	
15	Screw	SUS 304	
16	Shower hose	PVC	FLX005/AC*
17	O-ring	NBR	
18	Shower hand	ABS	MDR015/AC*
19	Shower head	SUS 304	RDN002/AC*
20	Wall pipe	SUS 304	BPR001/AC*
21	Cover plate of wall pipe	SUS 304	
22	Shower seat	Brass	SFD002/AC*

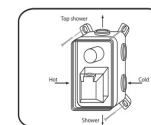
\* CONSULTAR PARA ACABADOS DE COLOR

Ref.	EAN	Finish
GPD055/AC	8435668038737	316

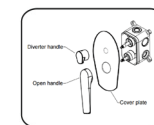
**Installing instruction**



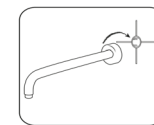
Step 1. Connect curved leg with the inlet pipe inside the wall



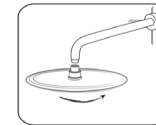
Step 2. Connect decorative cover to curved leg



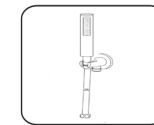
Step 3. Install shower faucet properly, and connect to curved leg on the wall



Step 4. Install shower pipe according to the distance of fix part



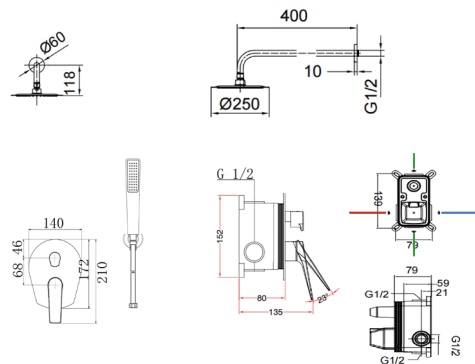
Step 5. Install shower hand and shower head to the set



Step 6. Test function of shower set, clean the set

FLOW RATE

Detalles	
FLOW RATE REF	GPD055/AC
hand shower mixer water 0.1Mpa(L/MIN)	3.3
hand shower mixer water 0.3Mpa(L/MIN)	8.3
hand shower mixer water 0.5Mpa(L/MIN)	11.5
hand shower singer cold water 0.1Mpa(L/MIN)	3.1
hand shower singer cold water 0.3Mpa(L/MIN)	7.9
hand shower singer cold water 0.5Mpa(L/MIN)	10.9
shower head mixer water 0.1Mpa(L/MIN)	4.8
shower head mixer water 0.3Mpa(L/MIN)	10.3
shower head mixer water 0.5Mpa(L/MIN)	15.2
shower head singer cold water 0.1Mpa(L/MIN)	4.3
shower head singer cold water 0.3Mpa(L/MIN)	9.5
shower head singer cold water 0.5Mpa(L/MIN)	14



Units: mm

Product sizes (cm)	43*30*14
Weight (kg)	3.82
Guarantee	10 years
Max Preassure (bar)	6
Min Preassure (bar)	0.5
Optimum preassure (bar)	1-4 (Recommended 3)
Max. temperature	85°C
Min temperature	65°C

CERTIFIES

That all our products, provided that they are used in normal conditions or installed in accordance with current standards, are guaranteed against any manufacturing defect for a period of five years, except for products purchased before January 1, 2020, which will have the mand atory coverage of 2 years from the date of invoice.

Requirements and exclusions

Failure to comply with the instructions for assembly, use and maintenance of our products on the packaging and in our catalogue and published on our website: [www.imexproducts.es](http://www.imexproducts.es), releases IMEX PRODUCTS, S.L. from any liability.

In any case, the acceptance of the defect by our technical department is necessary. In addition, transport costs will be charged only in the event that on IMEX PRODUCTS, S.L. technician determines the proper functioning of our products.

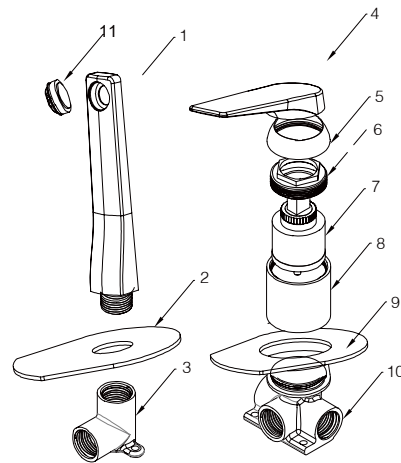
IMEX PRODUCTS, S.L. will decide to repair the product or replace it. It will be necessary to present the purchase invoice.

Assembly, maintenance or repairs carried out by non-specoalists re excluded from the warranty.

Wearing parts such as hoses, handles, seals, filters, aerators, etc. are not covered by the warranty.



**PRODUCT  
INFORMATION  
SUMMARY**

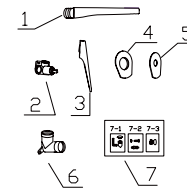


CODE	NAME	MATERIAL	REF
1	Faucet body	SUS 316	
2	Cartridge Ø30mm	Assembly	CRT088*
3	Handle	SUS 316	
4	Cartridge cover	SUS 316	
5	Cap	SUS 316	
6	Decorative cover plate	SUS 316	
7	Cover plate	SUS 316	
8	Cover plate	SUS 316	
9	Faucet body	SUS 316	
10	Spout	SUS 316	
11	MM24 aerator	ABS	SAT-AIR019*

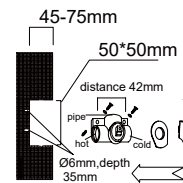
\* CONSULTAR PARA ACABADOS DE COLOR

Ref.	EAN	Finish
GLD055/AC	8435668038713	316

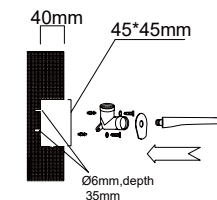
Installing instruction



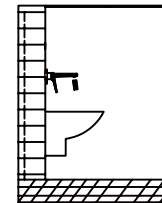
- Step 1. check all spare parts  
 1- pipe  
 2- body to handle  
 3- handle  
 4- cover plate of handle  
 5- cover plate of pipe  
 6- body to pipe  
 7- spare part bag



- Step 2. Dig hole for body to handle  
 2.1- Hole size 50\*50mm, depth from 45 to 75mm;  
 2.2- Dig two 6mm holes with 42mm distance  
 2.3- Assemble spare parts as picture shows



- Step 3. Dig hole for body to pipe  
 3.1- Hole size 45\*45mm, depth 40mm;  
 3.2- Dig two 6mm holes with 35mm distance  
 3.3- Assemble spare parts as picture shows

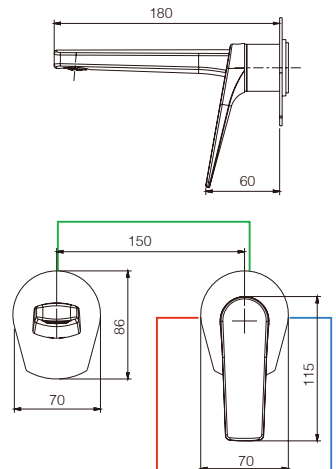
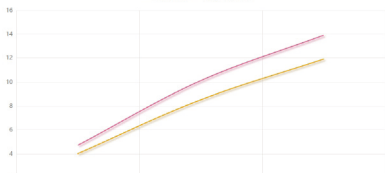


- Step 4. Connect inside pipe and test for leak checking

### FLOW RATE

Detalles	
FLOW RATE REF	GLD055/AC
mixer water 0.1Mpa(L/MIN)	4.7
mixer water 0.3Mpa(L/MIN)	10.1
mixer water 0.5Mpa(L/MIN)	13.9
singer cold water 0.1Mpa(L/MIN)	4
singer cold water 0.3Mpa(L/MIN)	8.5
singer cold water 0.5Mpa(L/MIN)	11.9

GLD055 flow rate L/MIN  
— mixer water — singer cold water



Units: mm

Product sizes (cm)	29*17,5*7.2
Weight (kg)	1.5
Guarantee	10 years
Max Preassure (bar)	6
Min Preassure (bar)	0.5
Optimum preassure (bar)	1-4 (Recommended 3)
Max. temperature	85°C
Min temperature	65°C

### CERTIFIES

That all our products, provided that they are used in normal conditions or installed in accordance with current standards, are guaranteed against any manufacturing defect for a period of five years, except for products purchased before January 1, 2020, which will have the mand atory coverage of 2 years from the date of invoice.

#### Requirements and exclusions

Failure to comply with the instructions for assembly, use and maintenance of our products on the packaging and in our catalogue and published on our website: [www.imexproducts.es](http://www.imexproducts.es), releases IMEX PRODUCTS, S.L. from any liability.

In any case, the acceptance of the defect by our technical department is necessary. In addition, transport costs will be charged only in the event that on IMEX PRODUCTS, S.L. technician determines the proper functioning of our products.

IMEX PRODUCTS, S.L. will decide to repair the product or replace it. It will be necessary to present the purchase invoice.

Assembly, maintenance or repairs carried out by non-specoalists re excluded from the warranty.

Wearing parts such as hoses, handles, seals, filters, aerators, etc. are not covered by the warranty.

