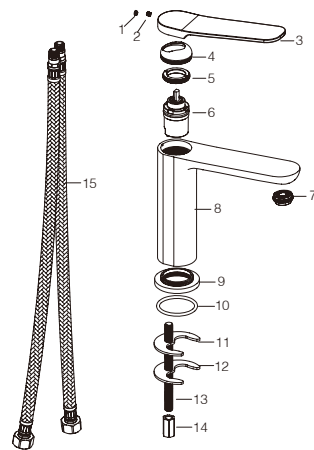


**PRODUCT  
INFORMATION  
SUMMARY**



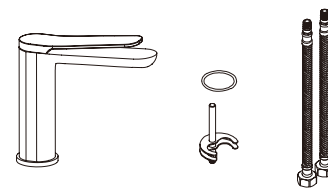
Ref.	EAN	Finish
BDR031-1	8435668002110	Chrome
BDR031-1NG	8435668002127	Matte black
BDR031-1BL	8435668002103	White



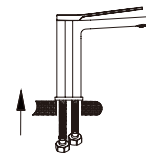
CODE	NAME	MATERIAL	REF
1	Button	ABS	
2	Screw	SUS 304	
3	Handle	Zinc	
4	Decorative cup	ABS	
5	Nut	Brass	
6	Cartridge	26mm up	CRT016*
7	Aerator	20.5x1mm	SAT-AIR037*
8	Body	Brass	
9	Base	Brass	
10	O-ring	NBR	
11	Rubber plate	NBR	
12	Metal plate	SUS 304	
13	M8 Screw	SUS 304	
14	M8-Nut	Brass	
15	Connecting Pipe	TAQ-PEX-DN6-ACB H3/8-M10X1 L12-500-R&B	SAT-HOSE57*

\* CONSULTAR PARA ACABADOS DE COLOR

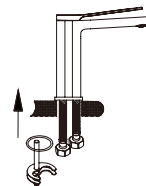
Installing instruction



Step 1. Check all spare parts ready



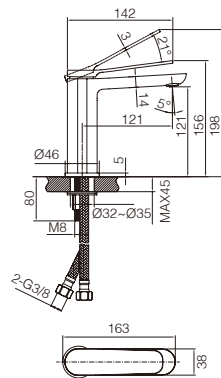
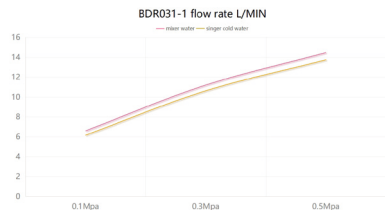
Step 2. Install inlet pipe to faucet body



Step 3. Install screw stick to faucet body

## FLOW RATE

Detalles	
FLOW RATE REF	BDR031-1
mixer water 0.1Mpa(L/MIN)	6.6
mixer water 0.3Mpa(L/MIN)	11.2
mixer water 0.5Mpa(L/MIN)	14.46
singer cold water 0.1Mpa(L/MIN)	6.16
singer cold water 0.3Mpa(L/MIN)	10.62
singer cold water 0.5Mpa(L/MIN)	13.74



Product sizes (cm)	30*21*5.9
Weight (kg)	1.24
Guarantee	5 years
Max Preassure (bar)	5
Min Preassure (bar)	0.5
Optimum preassure (bar)	1-4 (Recommended 3)
Max. temperature	85°C
Min temperature	65°C

## CERTIFIES

That all our products, provided that they are used in normal conditions or installed in accordance with current standards, are guaranteed against any manufacturing defect for a period of five years, except for products purchased before January 1, 2020, which will have the mand atory coverage of 2 years from the date of invoice.

### Requirements and exlusions

Failure to comply with the instructions for assembly, use and maintenance of our products on the packaging and in our catalogue and published on our website: [www.imexproducts.es](http://www.imexproducts.es), releases IMEX PRODUCTS, S.L. from any liability.

In any case, the acceptance of the defect by our technical department is necessary. In addition, transport costs will be charged only in the event that on IMEX PRODUCTS, S.L. technician determines the proper functioning of our products.

IMEX PRODUCTS, S.L. will decide to repair the product or replace it. It will be necessary to present the purchase invoice.

Assembly, maintenance or repairs carried out by non-specoalists re excluded from the warranty.

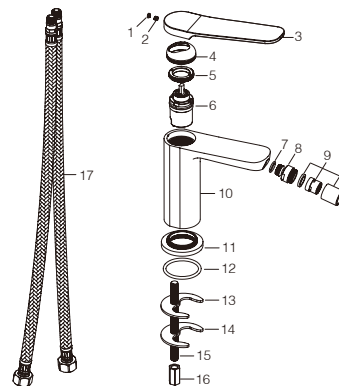
Wearing parts such as hoses, handles, seals, filters, aerators, etc. are not covered by the warranty.



**PRODUCT  
INFORMATION  
SUMMARY**



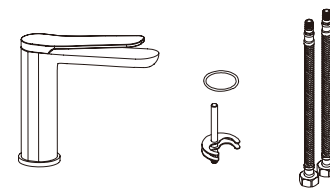
Ref.	EAN	Finish
BDR031-2	8481801990	Chrome
BDR031-2NG	8481801990	Matte black
BDR031-2BL	8481801990	White



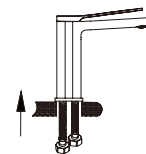
CODE	NAME	MATERIAL	REF
1	Button	ABS	
2	Screw	SUS 304	
3	Handle	Zinc	
4	Decorative cup	ABS	
5	Nut	Brass	
6	Cartridge	26mm up	CRT016*
7	O-ring	NBR	
8	Connector	Brass	
9	Aireador	Brass	SAT-AIR032*
10	Body	Brass	
11	Base	Brass	
12	O-ring	NBR	
13	Rubber plate	NBR	
14	Metal plate	SUS 304	
15	M8-Screw	SUS 304	
16	M8-Nut	Brass	
17	Connecting Pipe	TAQ-PEX-DN6-ACB H3/8-M10X1 L12-500-R8B	SAT-HOSES7*

\* CONSULTAR PARA ACABADOS DE COLOR

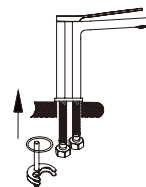
Installing instruction



Step 1. Check all spare parts ready



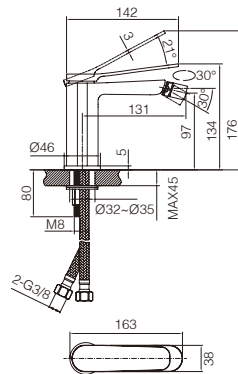
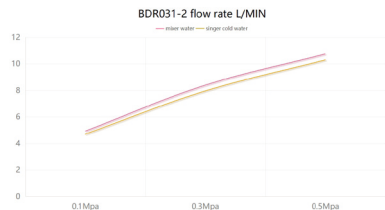
Step 2. Install inlet pipe to faucet body



Step 3. Install screw stick to faucet body

## FLOW RATE

Detalles	
FLOW RATE REF	BDR031-2
mixer water 0.1Mpa(L/MIN)	4.93
mixer water 0.3Mpa(L/MIN)	8.4
mixer water 0.5Mpa(L/MIN)	10.75
singer cold water 0.1Mpa(L/MIN)	4.7
singer cold water 0.3Mpa(L/MIN)	7.96
singer cold water 0.5Mpa(L/MIN)	10.3



Product sizes (cm)	26.7*18.1*5.9
Weight (kg)	1.12
Guarantee	5 years
Max Preasure (bar)	5
Min Preasure (bar)	0.5
Optimum peassure (bar)	1-4 (Recommended 3)
Max. temperature	85°C
Min temperature	65°C

## CERTIFIES

That all our products, provided that they are used in normal conditions or installed in accordance with current standards, are guaranteed against any manufacturing defect for a period of five years, except for products purchased before January 1, 2020, which will have the mand atory coverage of 2 years from the date of invoice.

### Requirements and exclusions

Failure to comply with the instructions for assembly, use and maintenance of our products on the packaging and in our catalogue and published on our website: [www.imexproducts.es](http://www.imexproducts.es), releases IMEX PRODUCTS, S.L. from any liability.

In any case, the acceptance of the defect by our technical department is necessary. In addition, transport costs will be charged only in the event that on IMEX PRODUCTS, S.L. technician determines the proper functioning of our products.

IMEX PRODUCTS, S.L. will decide to repair the product or replace it. It will be necessary to present the purchase invoice.

Assembly, maintenance or repairs carried out by non-specoalists re excluded from the warranty.

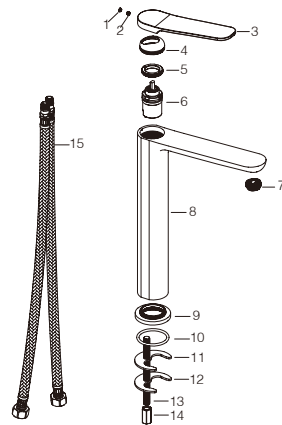
Wearing parts such as hoses, handles, seals, filters, aerators, etc. are not covered by the warranty.



**PRODUCT  
INFORMATION  
SUMMARY**



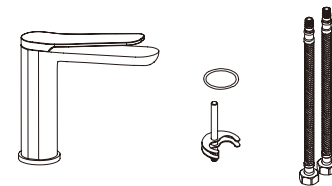
Ref.	EAN	Finish
BDR031-3	8435668002172	Chrome
BDR031-3NG	8435668002189	Matte black
BDR031-3BL	8435668002165	White



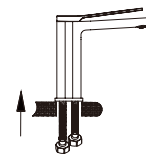
CODE	NAME	MATERIAL	REF
1	Button	ABS	
2	Screw	SUS 304	
3	Handle	Zinc	
4	Decorative cup	ABS	
5	Nut	Brass	
6	Cartridge	26mm up	CRT016*
7	Aerator	20.5x1mm	SAT-AIR037*
8	Body	Brass	
9	Base	Brass	
10	O-ring	NBR	
11	Rubber plate	NBR	
12	Metal plate	SUS 304	
13	M8-Screw	SUS 304	
14	M8-Nut	Brass	
15	Connecting Pipe	TAQ-PEX-DN6-ACB H3/8-M10X1 L12-500-R&B	SAT-HOSE57*

\* CONSULTAR PARA ACABADOS DE COLOR

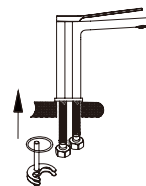
Installing instruction



Step 1. Check all spare parts ready



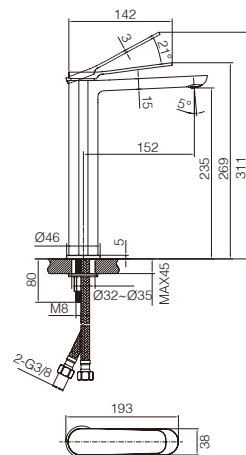
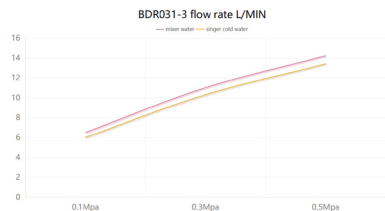
Step 2. Install inlet pipe to faucet body



Step 3. Install screw stick to faucet body

### FLOW RATE

Detalles	
FLOW RATE REF	BDR031-3
mixer water 0.1Mpa(L/MIN)	6.5
mixer water 0.3Mpa(L/MIN)	11.01
mixer water 0.5Mpa(L/MIN)	14.21
singer cold water 0.1Mpa(L/MIN)	6
singer cold water 0.3Mpa(L/MIN)	10.3
singer cold water 0.5Mpa(L/MIN)	13.4



Product sizes (cm)	39*21*5.9
Weight (kg)	1.69
Guarantee	5 years
Max Preassure (bar)	5
Min Preassure (bar)	0.5
Optimum preassure (bar)	1-4 (Recommended 3)
Max. temperature	85°C
Min temperature	65°C

### CERTIFIES

That all our products, provided that they are used in normal conditions or installed in accordance with current standards, are guaranteed against any manufacturing defect for a period of five years, except for products purchased before January 1, 2020, which will have the mand atory coverage of 2 years from the date of invoice.

#### Requirements and exclusions

Failure to comply with the instructions for assembly, use and maintenance of our products on the packaging and in our catalogue and published on our website: [www.imexproducts.es](http://www.imexproducts.es), releases IMEX PRODUCTS, S.L. from any liability.

In any case, the acceptance of the defect by our technical department is necessary. In addition, transport costs will be charged only in the event that on IMEX PRODUCTS, S.L. technician determines the proper functioning of our products.

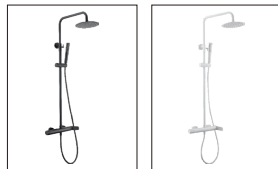
IMEX PRODUCTS, S.L. will decide to repair the product or replace it. It will be necessary to present the purchase invoice.

Assembly, maintenance or repairs carried out by non-specoalists re excluded from the warranty.

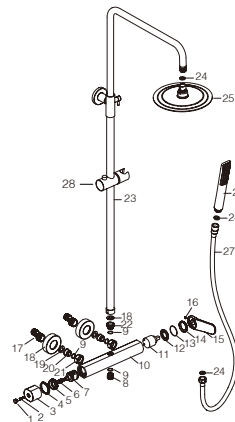
Wearing parts such as hoses, handles, seals, filters, aerators, etc. are not covered by the warranty.



**PRODUCT  
INFORMATION  
SUMMARY**



Ref.	EAN	Finish
BDR031	8435668002202	Chrome
BDR031-NG	8435668002219	Matte black
BDR031-BL	8435668002196	White



CODE	NAME	MATERIAL	REF	CODE	NAME	MATERIAL	REF
1	Button	ABS		20	Screw	SUS 304	
2	Screw	SUS 304		21	Nut	Brass	
3	Handle	Zinc		22	Connect	Brass	
4	Plastic washer	Plastic		23	Pipe	SUS 304	
5	Nut	Brass		24	Rubber ring	NBR	
6	Connect	Plastic		25	Shower head	SUS 304	RDN001*
7	Cartridge	31mm up		26	Shower hand	ABS	MDW014*
8	Connect	Brass		27	Hose	SUS 304	FLX001*
9	O-ring	NBR		28	Slider	ABS	RR0014*
10	Body	Brass					
11	Cartridge	35mm up	CRT006*				
12	Nut	Brass					
13	O-ring	NBR					
14	Decorative cup	ABS					
15	Handle	Zinc					
16	Screw	SUS 304					
17	Cabriolet	SUS 304					
18	Cover	SUS 304					
19	Rubber ring	NBR					

\* CONSULTAR PARA ACABADOS DE COLOR

**Installing instruction**

Step 1. Connect curved leg with the inlet pipe inside the wall

Step 2. Connect decorative cover to curved leg

Step 3. Install shower faucet properly, and connect to curved leg on the wall

Step 4. Install shower pipe according to the distance of fix part

Step 5. Install shower hand and shower head to the set

Step 6. Test function of shower set, clean the set

**Usage function instruction**

SHOWER HEAD

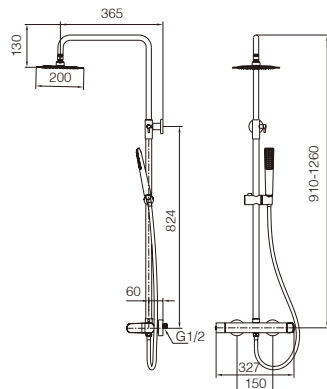
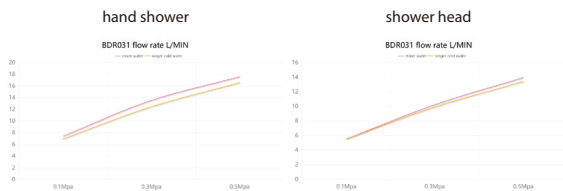
SHOWER HAND

Hot Cold

OFF Open

## FLOW RATE

Detalles	
FLOW RATE REF	BDR031
hand shower mixer water 0.1Mpa(L/MIN)	7.39
hand shower mixer water 0.3Mpa(L/MIN)	13.51
hand shower mixer water 0.5Mpa(L/MIN)	17.56
hand shower singer cold water 0.1Mpa(L/MIN)	6.92
hand shower singer cold water 0.3Mpa(L/MIN)	12.41
hand shower singer cold water 0.5Mpa(L/MIN)	16.54
shower head mixer water 0.1Mpa(L/MIN)	5.51
shower head mixer water 0.3Mpa(L/MIN)	10.2
shower head mixer water 0.5Mpa(L/MIN)	13.93
shower head singer cold water 0.1Mpa(L/MIN)	5.53
shower head singer cold water 0.3Mpa(L/MIN)	9.88
shower head singer cold water 0.5Mpa(L/MIN)	13.38



Product sizes (cm)	42.5*13.3*90
Weight (kg)	5.8
Guarantee	5 years
Max Preassure (bar)	5
Min Preassure (bar)	0.5
Optimum peassure (bar)	1-4 (Recommended 3)
Max. temperature	85°C
Min temperature	65°C

## CERTIFIES

That all our products, provided that they are used in normal conditions or installed in accordance with current standards, are guaranteed against any manufacturing defect for a period of five years, except for products purchased before January 1, 2020, which will have the mand atory coverage of 2 years from the date of invoice.

### Requirements and exclusions

Failure to comply with the instructions for assembly, use and maintenance of our products on the packaging and in our catalogue and published on our website: [www.imexproducts.es](http://www.imexproducts.es), releases IMEX PRODUCTS, S.L. from any liability.

In any case, the acceptance of the defect by our technical department is necessary. In addition, transport costs will be charged only in the event that on IMEX PRODUCTS, S.L. technician determines the proper functioning of our products.

IMEX PRODUCTS, S.L. will decide to repair the product or replace it. It will be necessary to present the purchase invoice.

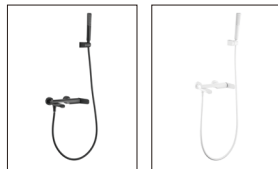
Assembly, maintenance or repairs carried out by non-specoalists re excluded from the warranty.

Wearing parts such as hoses, handles, seals, filters, aerators, etc. are not covered by the warranty.

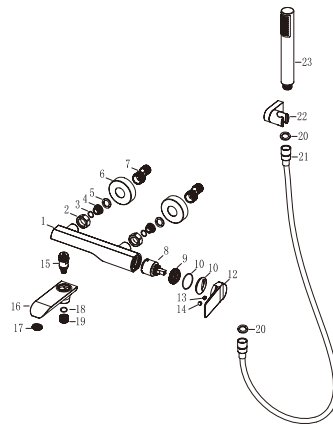




**PRODUCT  
INFORMATION  
SUMMARY**



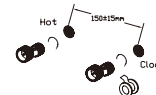
Ref.	EAN	Finish
BDR031-4	8435668034517	Chrome
BDR031-4NG	8435668034531	Matte black
BDR031-4BL	8435668034524	White



CODE	NAME	MATERIAL	REF	CODE	NAME	MATERIAL	REF
1	Body	Brass		20	Rubber washer	NBR	
2	Nut	Brass		21	Hose	SUS 304 / PVC	FLX010*
3	O-ring	NBR		22	Shower base	ABS	SMD007*
4	Valve	SUS 304		23	Shower hand	ABS	MDR015*
5	Rubber washer	NBR					
6	Cover	SUS 304					
7	Cabrio leg	SUS 304					
8	Cartridge	35mm	CRT006*				
9	Nut	Brass					
10	O-ring	NBR					
11	Decorative cup	ABS					
12	Handle	Zinc					
13	Screw	SUS 304					
14	Button	ABS					
15	Cartridge	Brass 124mm					
16	Outlet pipe	Brass					
17	Aerator	M24x1mm	SAT-AIR019*				
18	O-ring	NBR					
19	Connect	Brass					

\* CONSULTAR PARA ACABADOS DE COLOR

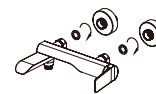
Installing instruction



Step 1. Connect curved leg with the inlet pipe inside the wall



Step 2. Connect decorative cover to curved leg

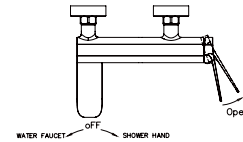
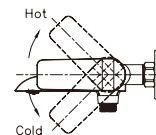


Step 3. Install shower faucet properly, and connect to curved leg on the wall



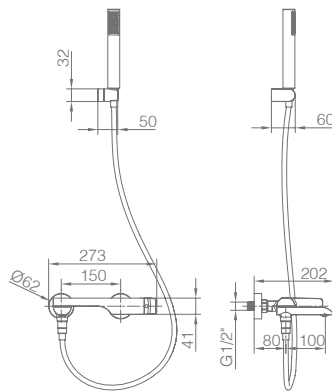
Step 4. Test function of shower set, clean the set

Usage function instruction



## FLOW RATE

Detalles	
FLOW RATE REF	BDR031-4
water outlet mixer water 0.1Mpa(L/MIN)	5.09
water outlet mixer water 0.3Mpa(L/MIN)	8.46
water outlet mixer water 0.5Mpa(L/MIN)	10.44
water outlet singer cold water 0.1Mpa(L/MIN)	5.17
water outlet singer cold water 0.3Mpa(L/MIN)	8.43
water outlet singer cold water 0.5Mpa(L/MIN)	10.57
hand shower mixer water 0.1Mpa(L/MIN)	5.4
hand shower mixer water 0.3Mpa(L/MIN)	10
hand shower mixer water 0.5Mpa(L/MIN)	13.67
hand shower singer cold water 0.1Mpa(L/MIN)	5.58
hand shower singer cold water 0.3Mpa(L/MIN)	10.38
hand shower singer cold water 0.5Mpa(L/MIN)	14.14



Product sizes (cm)	28*16*12.2
Weight (kg)	2.4
Guarantee	5 years
Max Preassure (bar)	5
Min Preassure (bar)	0.5
Optimum preassure (bar)	1-4 (Recommended 3)
Max. temperature	85°C
Min temperature	65°C

## CERTIFIES

That all our products, provided that they are used in normal conditions or installed in accordance with current standards, are guaranteed against any manufacturing defect for a period of five years, except for products purchased before January 1, 2020, which will have the mandatory coverage of 2 years from the date of invoice.

### Requirements and exclusions

Failure to comply with the instructions for assembly, use and maintenance of our products on the packaging and in our catalogue and published on our website: [www.imexproducts.es](http://www.imexproducts.es), releases IMEX PRODUCTS, S.L. from any liability.

In any case, the acceptance of the defect by our technical department is necessary. In addition, transport costs will be charged only in the event that on IMEX PRODUCTS, S.L. technician determines the proper functioning of our products.

IMEX PRODUCTS, S.L. will decide to repair the product or replace it. It will be necessary to present the purchase invoice.

Assembly, maintenance or repairs carried out by non-specialists are excluded from the warranty.

Wearing parts such as hoses, handles, seals, filters, aerators, etc. are not covered by the warranty.

