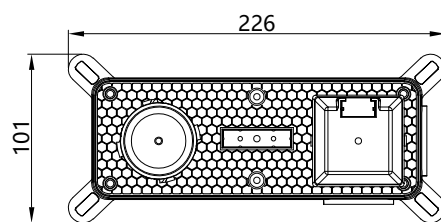
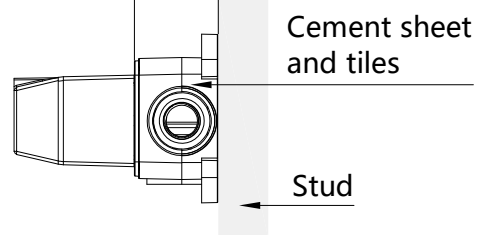


Step 1. check all spare parts

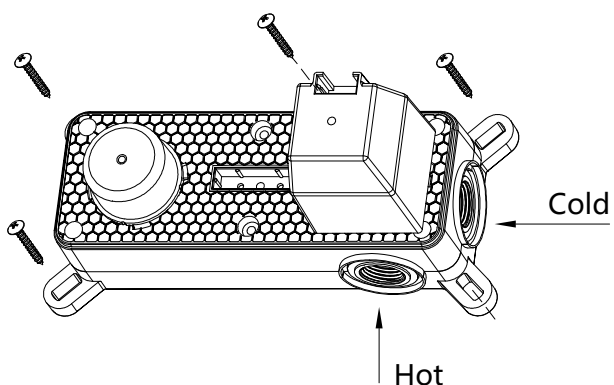
- 1- pipe
- 2- body
- 3- handle
- 4- cover plate
- 5- connect
- 6- spare part bag



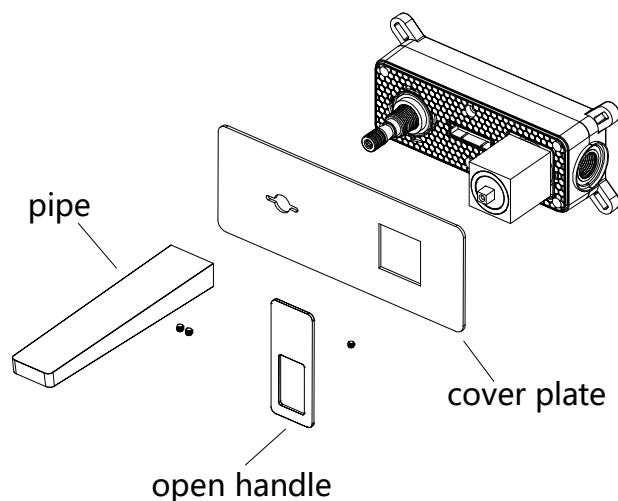
65 to 75mm
adjustment



Step 1. Connect curved leg
with the inlet pipe inside the wall



Step 2. Connect decorate
cover to curved leg



Step 3. Install shower faucet
properly, and connect to
curved leg on the wall